



NKBA NATIONAL
KITCHEN+BATH
ASSOCIATION

**Visionary
Innovations™**

2735 Chimney Springs Drive
Marietta, GA 30062
(678) 653-6612
sales@visionaryinnovations.com



Select Cabinetry
2019 Specifications





Cabinet Construction



- 1 Full overlay panel, 3/4 inch thick solid wood
- 2 6-way adjustable European-style hinge with soft-close feature
- 3 Shelving is 3/4 inch thick cabinet-grade plywood with front edge banding
- 4 Dovetail drawers with solid wood on all sides, full extension
- 5 Concealed Under-mount full extension drawer glides with soft-close feature
- 6 1/2 inch cabinet-grade plywood box, UV coated natural plywood on interior
- 7 Bracket reinforcements for base cabinet
- 8 Double-doweled face frame joint
- 9 Hardwood face frame
- 10 Door bumpers

Builder Grade Cabinet Construction

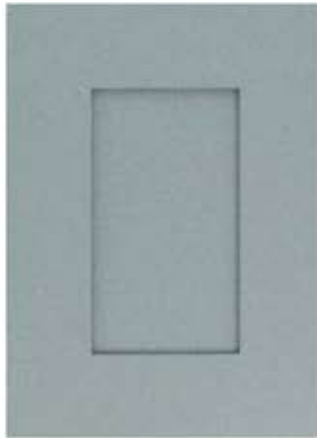


- 1 Full overlay panel, 3/4 inch thick solid wood
- 2 European-style hinge
- 3 Shelving is 3/4 inch plywood with front edge banding
- 4 Drawers with solid wood
- 5 Under-mount full extension drawer glides
- 6 1/2 inch cabinet-grade particle board box
- 7 Bracket reinforcements for base cabinet
- 8 Double-doweled face frame joint
- 9 Hardwood face frame
- 10 Door bumpers

Door Styles



SW
Shaker White



GR
Shaker Gray



SE
Shaker Espresso



CW
Charleston White



CS
Charleston Saddle

Builder Grade Door Styles



FW
Floral White
(Builder Grade)



ANSI/KCMA A161.1

Certificate Number: 18059
Issue Date: May 15, 2018
Expiration Date: August 31, 2019
Supersedes Certificate No.: 17133

LISTING

CERTIFICATE

THIS CERTIFIES THAT

Visionary Innovations
Marietta, GA

is a current participant in the Kitchen Cabinet Manufacturers Association Certification Program and is manufacturing the following lines of kitchen cabinets and/or bathroom vanity cabinets in conformance with American National Standard ANSI/KCMA A161.1-2017, *Performance and Construction Standard for Kitchen and Vanity Cabinets*:

Factory Assembled

Charleston Saddle
Charleston White

Shaker Espresso
Shaker Grey

Shaker White

These cabinet lines are listed in the Kitchen Cabinet Manufacturers Association Directory of Certified Cabinet Manufacturers. This manufacturer is authorized to apply KCMA Certification Seals to the factory assembled kitchen and bath cabinet lines listed above. Flat pack (unassembled) cabinets, if sold by this manufacturer, are not certified.

This certificate may be updated at any time and will expire on the date listed above. This certificate may also be canceled for non-conformity with the requirements of the Certification Program or upon voluntary withdrawal from the program by the manufacturer.

A handwritten signature in blue ink, appearing to read "C. P. Arnold".

Charles P. Arnold
Director of Certification

This certificate is current as of the issue date
Current listing information is at www.kcma.org

Table of Contents

Wall Cabinets	4 - 10
Base Cabinets	11 - 14
Pantries	15 - 16
Vanities	17 - 18
Moulding.....	19 - 20
Filler & Panels.....	21 - 22
Accessories	23 - 24
Price List	25 - 31

How to Order

To order:

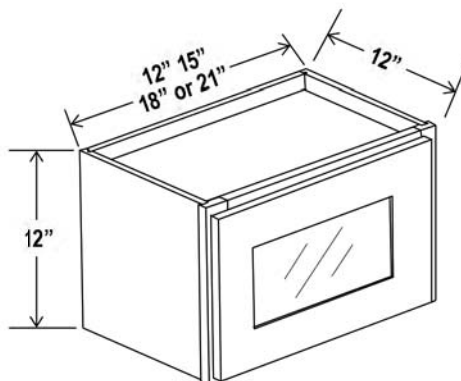
Specify the 2-letter door style (*shown on the inside front cover of this book*), followed by the product number for the cabinet.

Example: **GR-W1812GD** would be the product number to use to order a Shaker Gray (**GR**) Wall Cabinet, 12" high, 18" wide and 12" deep with a Single Glass Door (*shown on page 3*) (**W1812GD**).



GR
Shaker Gray

Wall Cabinet Single Glass Doors, 12"H

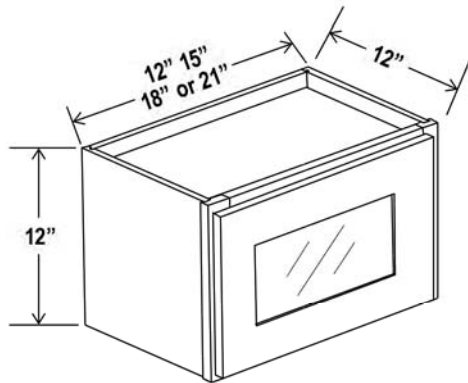


Clear glass included

- W1212GD
- W1512GD
- W1812GD**
- W2112GD

Wall Cabinet Specifications

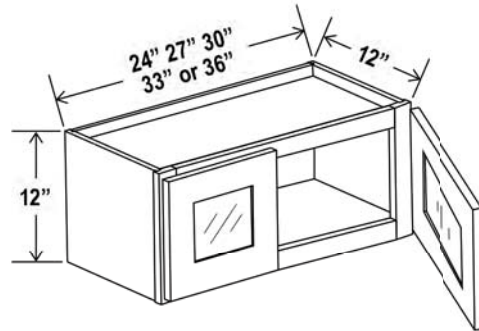
Wall Cabinet Single Glass Doors, 12"H



W1212GD
W1512GD
W1812GD
W2112GD

Clear glass included

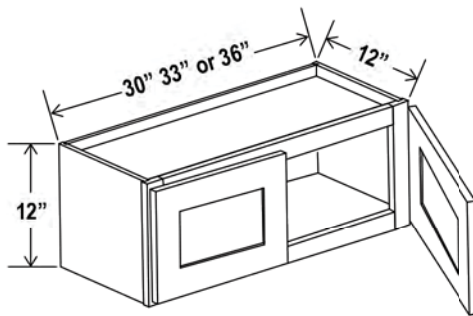
Wall Cabinet Double Glass Doors, 12"H



W2412GD
W2712GD
W3012GD
W3312GD
W3612GD

Clear glass included

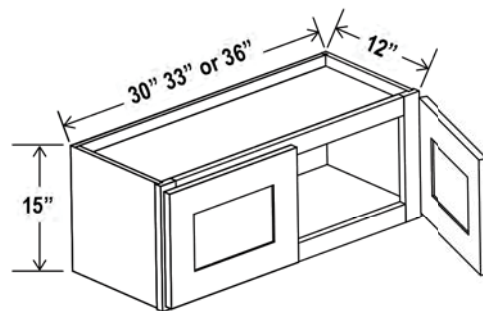
Wall Cabinet Double Doors, 12" H



W3012
W3312
W3612

No shelf

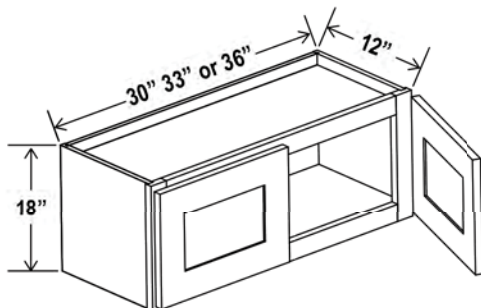
Wall Cabinet Double Doors, 15" H



W3015
W3315
W3615

No shelf

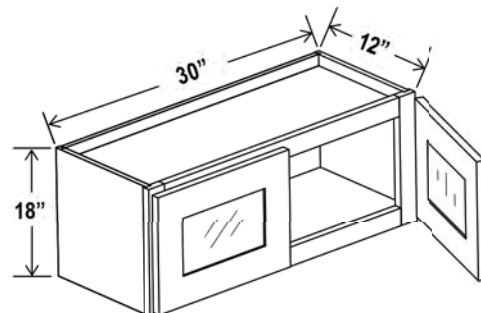
Wall Cabinet Double Doors, 18" H



W3018
W3318
W3618

No shelf

Wall Cabinet Double Glass Doors, 18" H



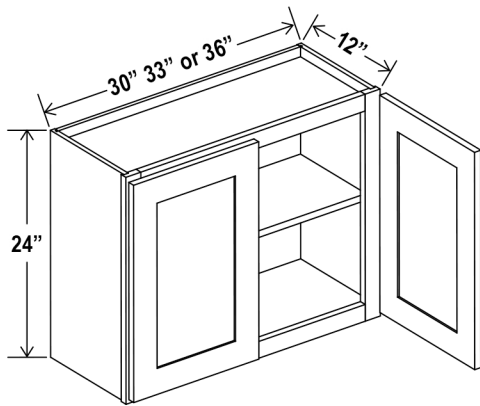
W3018GD

Clear glass included

Wall Cabinet Specifications

Wall Cabinets

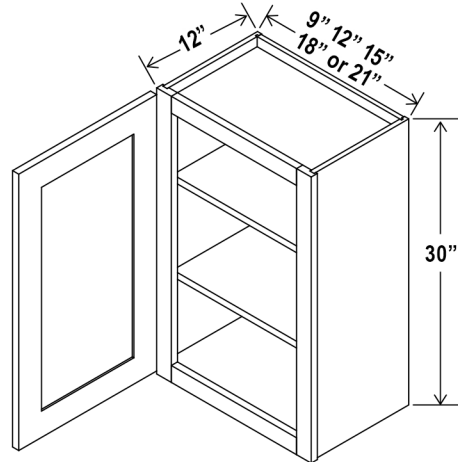
Wall Cabinet Double Doors, 24" H



W3024
W3324
W3624

One adjustable shelf

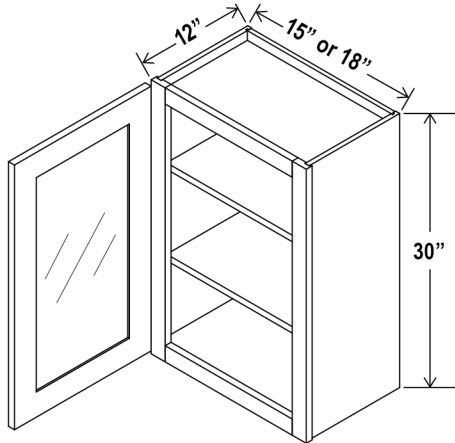
Wall Cabinet Single Door, 30" H



W0930
W1230
W1530
W1830
W2130

Two adjustable shelves

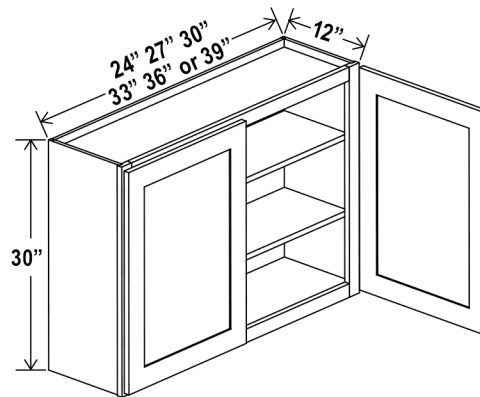
Wall Cabinet Single Glass Door, 30" H



W1530GD
W1830GD

Clear glass included

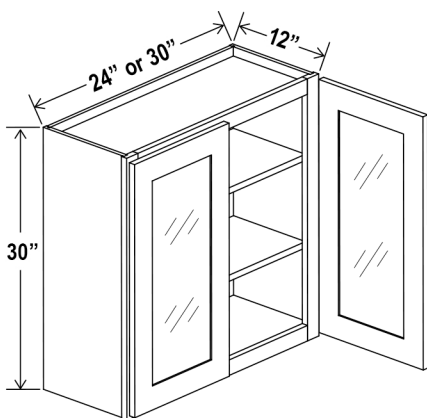
Wall Cabinet Double Doors, 30" H



W2430
W2730
W3030
W3330
W3630
W3930

Two adjustable shelves

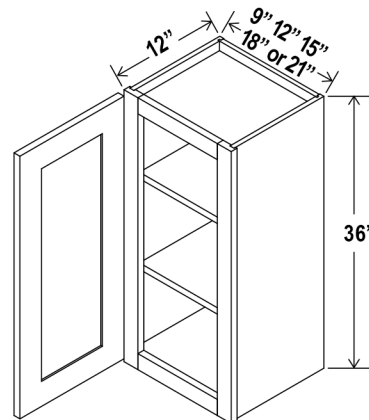
Wall Cabinet Double Glass Doors, 30" H



W2430GD
W3030GD

Clear glass included

Wall Cabinet Single Door, 36" H

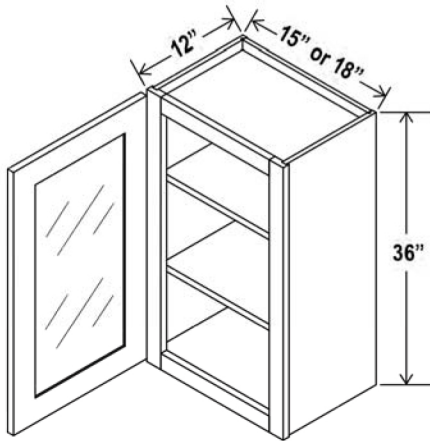


W0936
W1236
W1536
W1836
W2136

Two adjustable shelves

Wall Cabinet Specifications

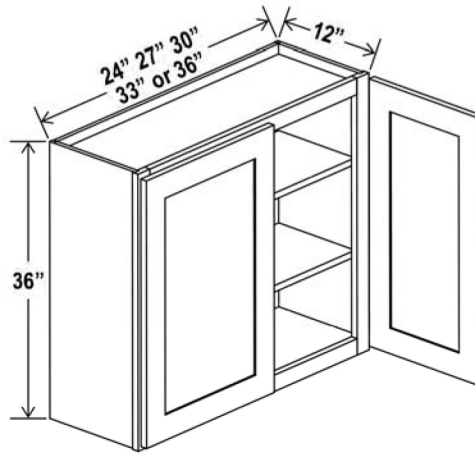
Wall Cabinet Single Glass Door, 36" H



W1536GD
W1836GD

Clear glass included

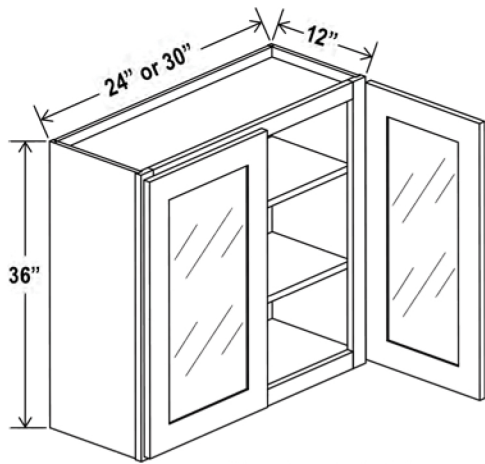
Wall Cabinet Double Doors, 36" H



W2436
W2736
W3036
W3336
W3636

Two adjustable shelves

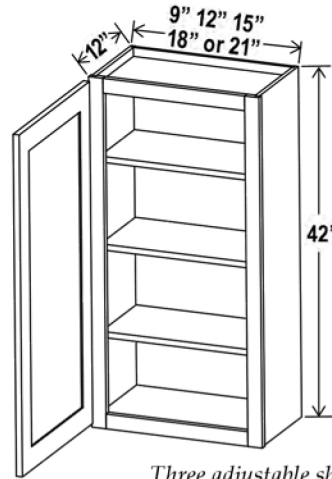
Wall Cabinet Double Glass Doors, 36" H



W2436GD
W3036GD

Clear glass included

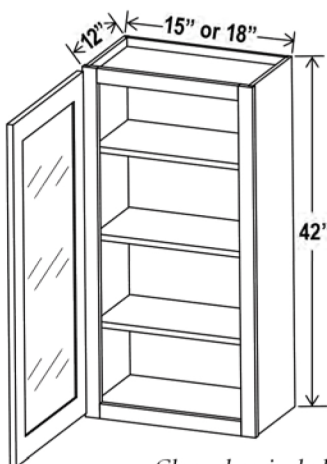
Wall Cabinet Single Door, 42" H



W0942
W1242
W1542
W1842
W2142

Three adjustable shelves

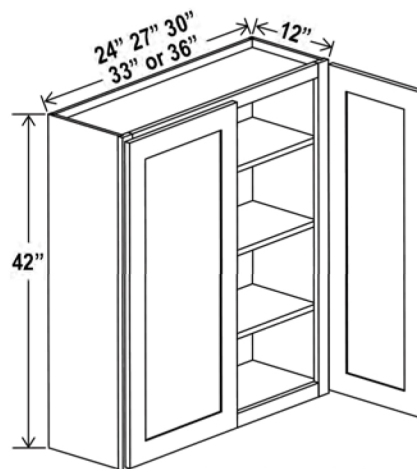
Wall Cabinet Single Glass Door, 42" H



W1542GD
W1842GD

Clear glass included

Wall Cabinet Double Doors, 42" H



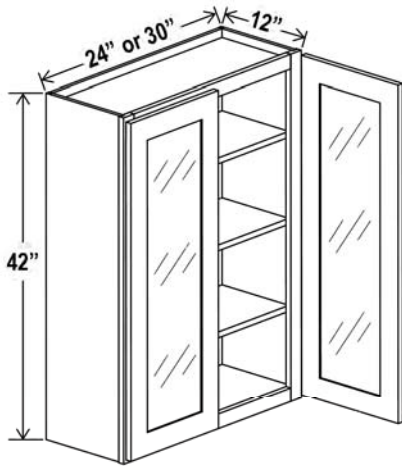
W2442
W2742
W3042
W3342
W3642

Three adjustable shelves

Wall Cabinet Specifications

Wall Cabinets

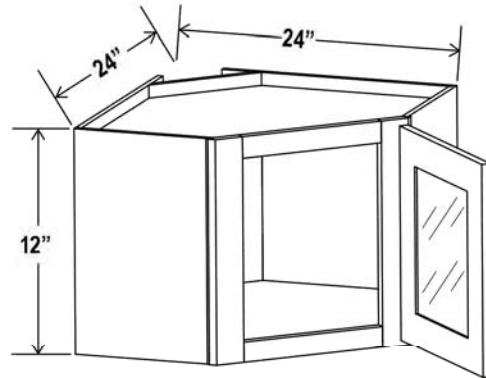
Wall Cabinet Double Glass Doors, 42" H



W2442GD
W3042GD

Clear glass included

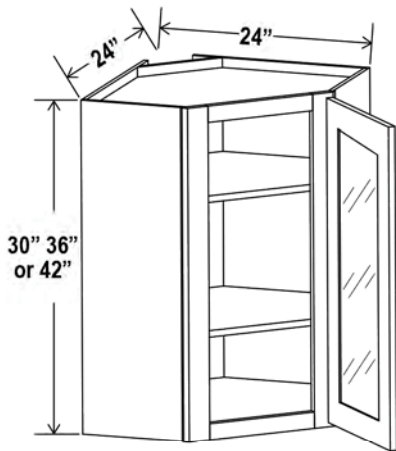
Diagonal Corner Wall Glass Door



DCW2412GD

Clear glass included

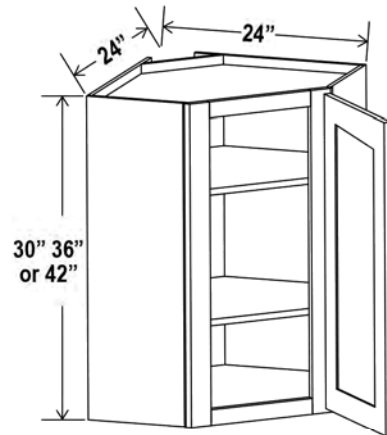
Diagonal Corner Wall Glass Door



DCW2430GD
DCW2436GD
DCW2442GD

Clear glass included

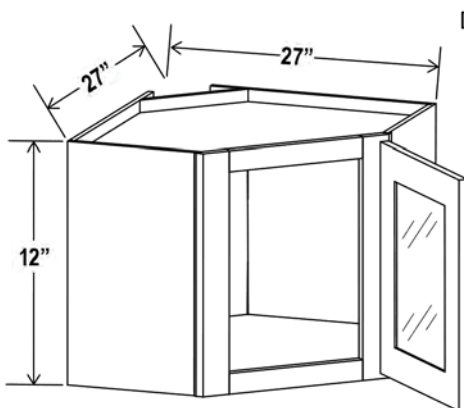
Diagonal Corner Wall Single Door



DCW2430
DCW2436
DCW2442

Two adjustable shelves

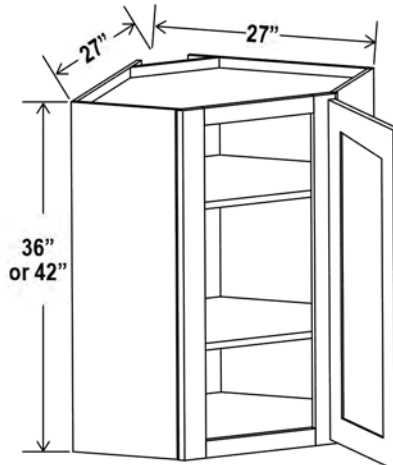
Diagonal Corner Wall Glass Door



DCW2712GD

Clear glass included

Diagonal Corner Wall Single Door



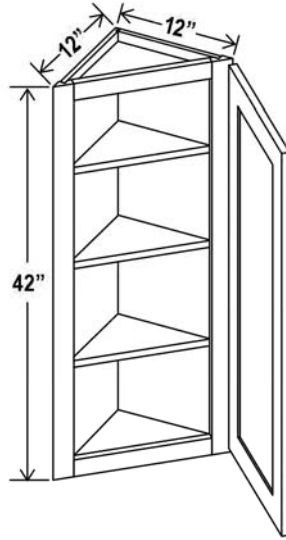
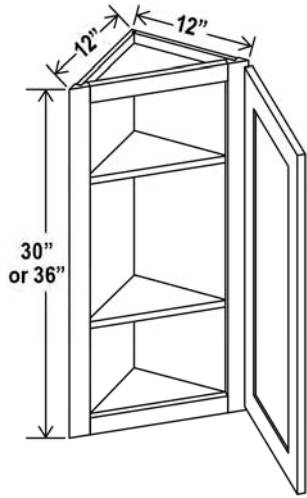
DCW2736
DCW2742

Two adjustable shelves

Wall Cabinet Specifications

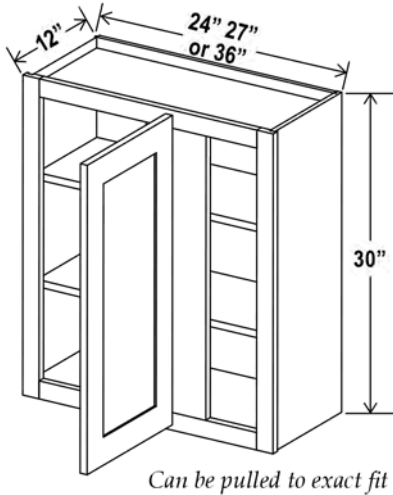
Angle Wall Cabinet

Wall Cabinets



AW1230
AW1236
AW1242

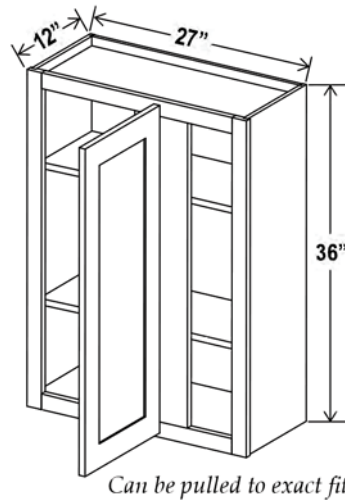
Wall Blind Corner Cabinet, 30" H



WBC2430
WBC2730
WBC3630

Can be pulled to exact fit

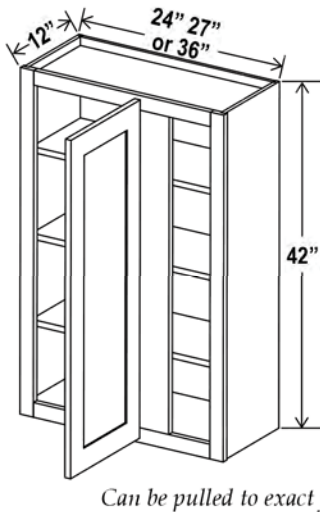
Wall Blind Corner Cabinet, 36" H



WBC2736

Can be pulled to exact fit

Wall Blind Corner Cabinet, 42" H



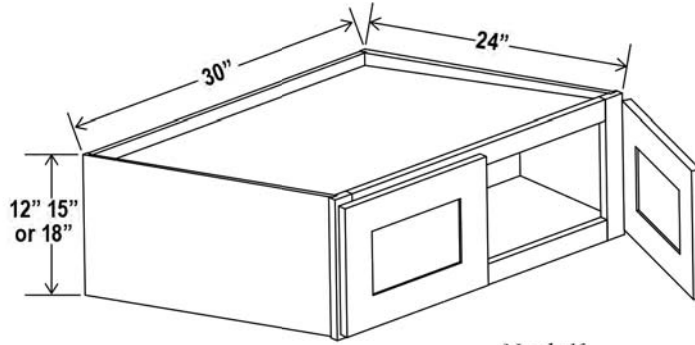
WBC2442
WBC2742
WBC3642

Can be pulled to exact fit

Wall Cabinet Specifications

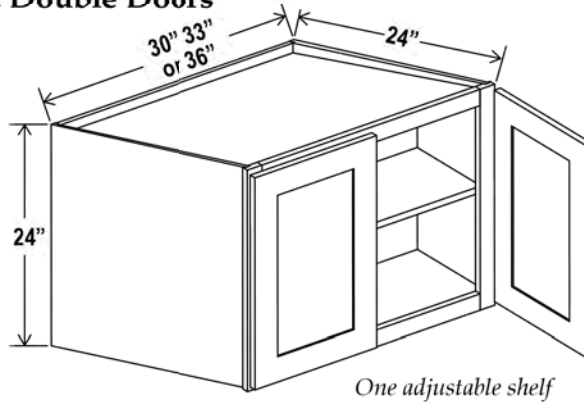
Wall Cabinets

Refrigerator Wall Cabinet Double Doors



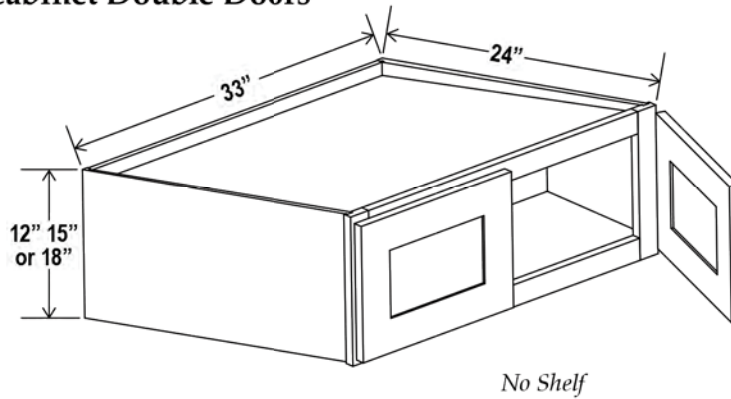
- W301224
- W301524
- W301824

Refrigerator Wall Cabinet Double Doors



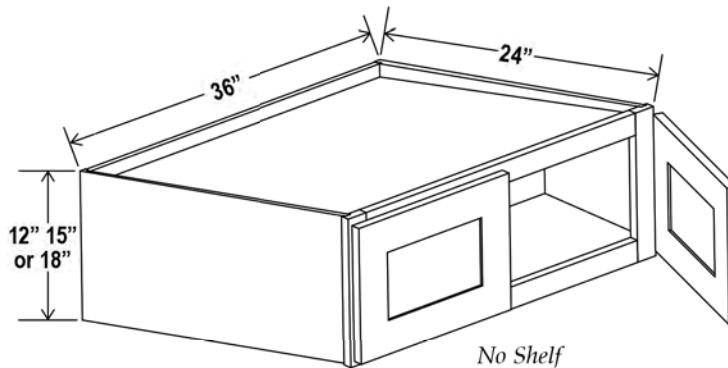
- W302424
- W332424
- W362424

Refrigerator Wall Cabinet Double Doors



- W331224
- W331524
- W331824

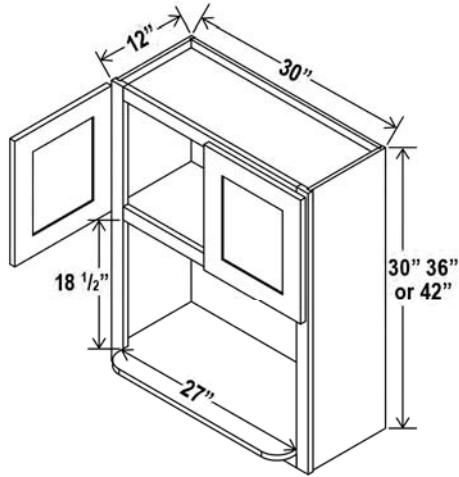
Refrigerator Wall Cabinet Double Doors



- W361224
- W361524
- W361824

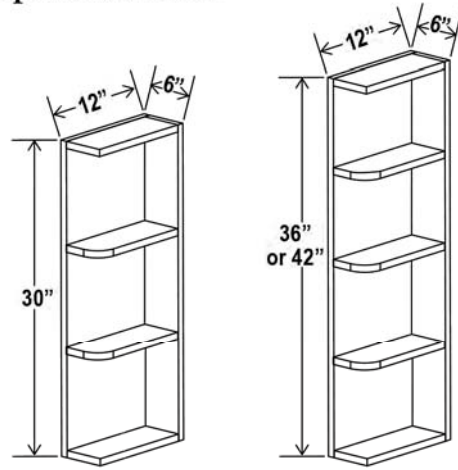
Wall Cabinet Specifications

Microwave Wall Cabinet



MO3030
MO3036
MO3042

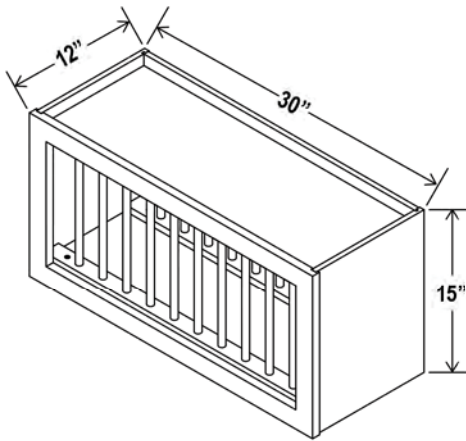
Open End Shelf



OE630
OE636
OE642

Matching color interior

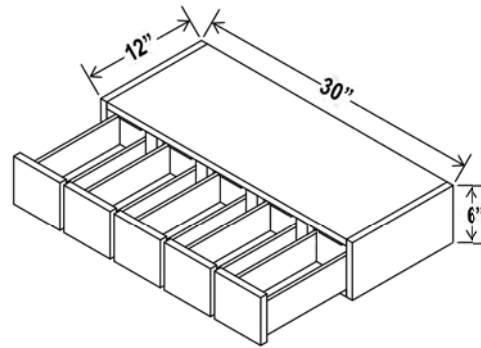
Plate Rack



PR3015

10 plate slots

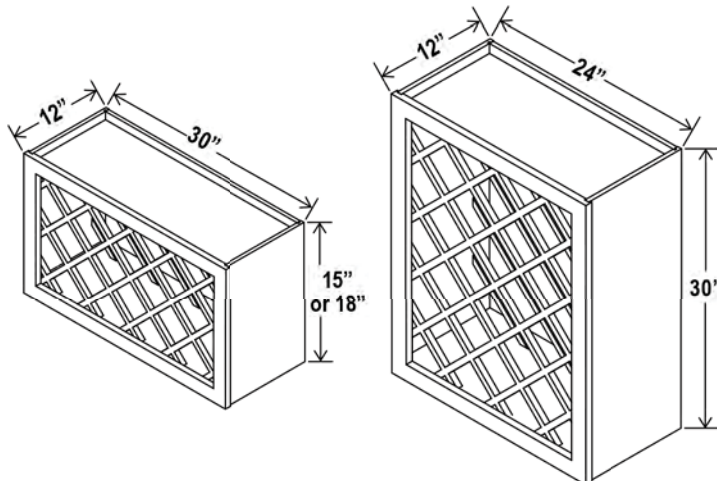
Wall Spice Drawer



WSD630

5 drawers

Wine Rack



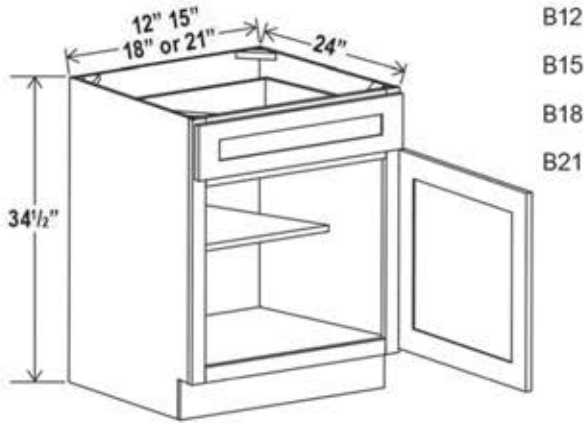
WRC3015
WRC3018
WRC2430

Can install vertically or horizontally

Base Cabinet Specifications

Base Cabinets

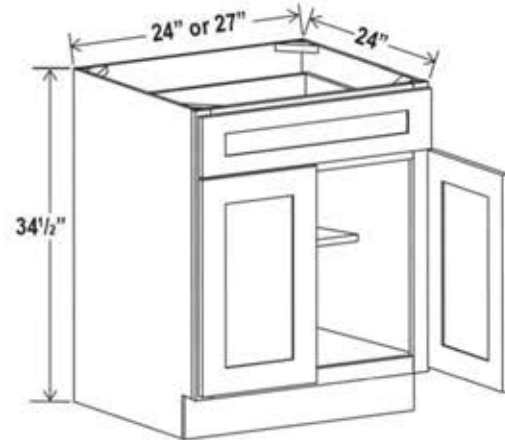
Base Cabinet Single Door, 30" H



B12
B15
B18
B21

One drawer

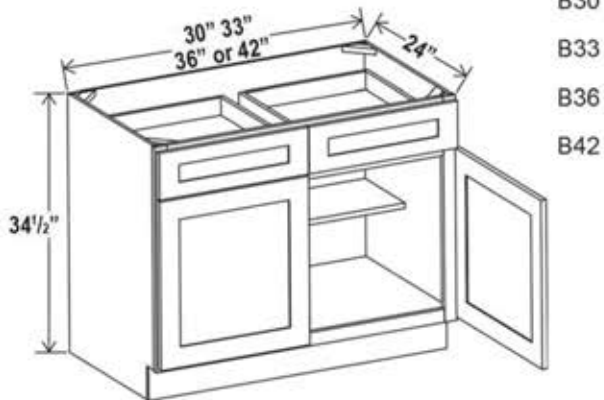
Base Cabinet Double Doors



B24
B27

One drawer

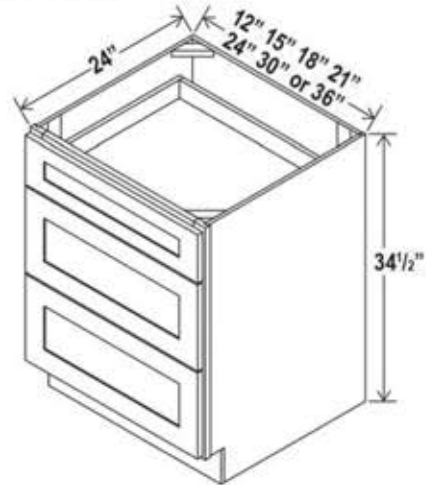
Base Cabinet Double Doors



B30
B33
B36
B42

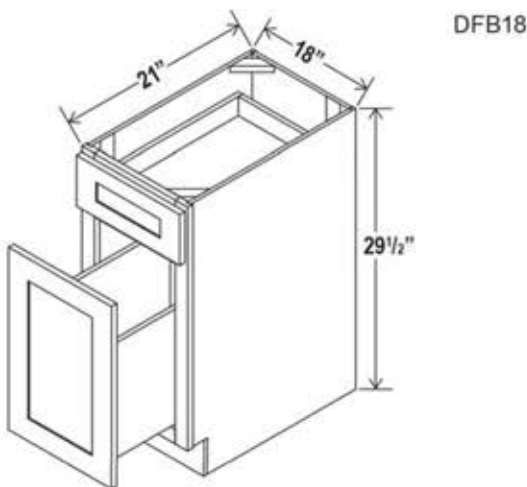
Two drawers

Drawer Base



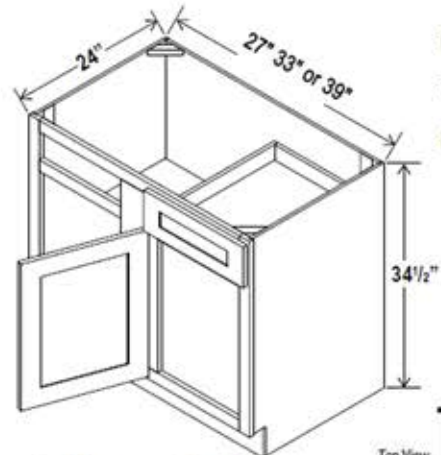
3DB12
3DB15
3DB18
3DB21
3DB24
3DB30
3DB36

Document File Base Cabinet



DFB18

Blind Corner Base Cabinet

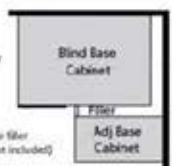


BBC36
BBC39
BBC42

item	install range	door size
BBC36	36"-39"	9 1/2"
BBC39	39"-42"	12 1/2"
BBC42	42"-45"	15 3/4"

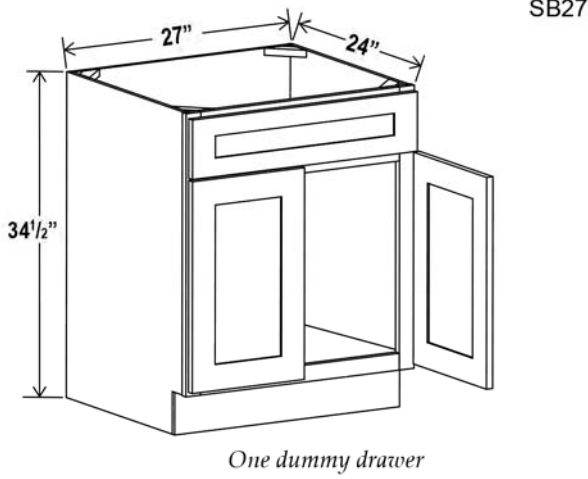
Top View

Must use filler
(filler not included)

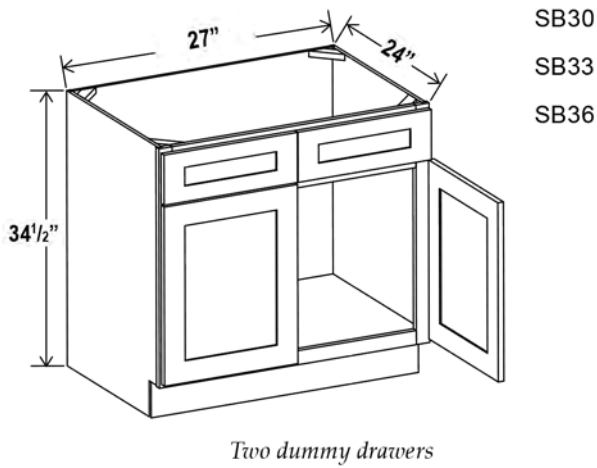


Base Cabinet Specifications

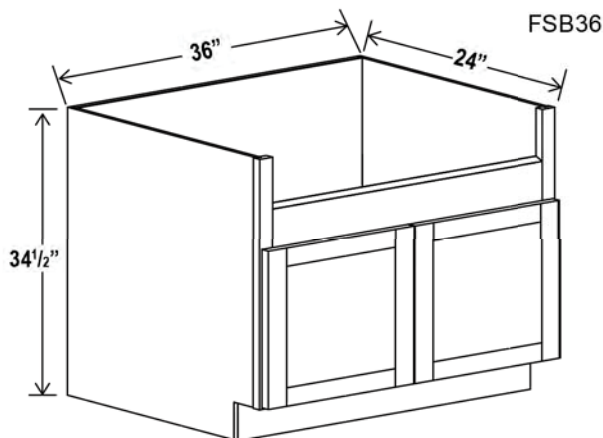
Sink Base



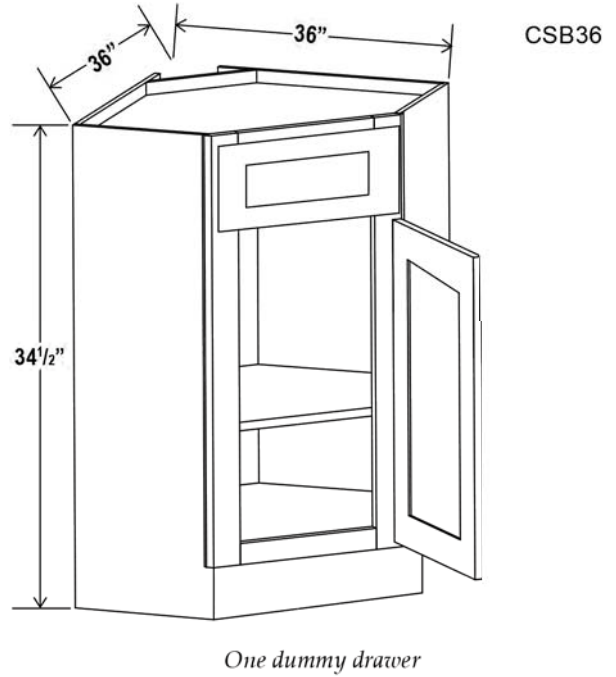
Sink Base



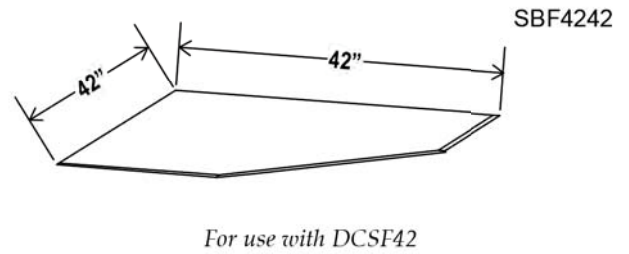
Farmhouse Sink Base



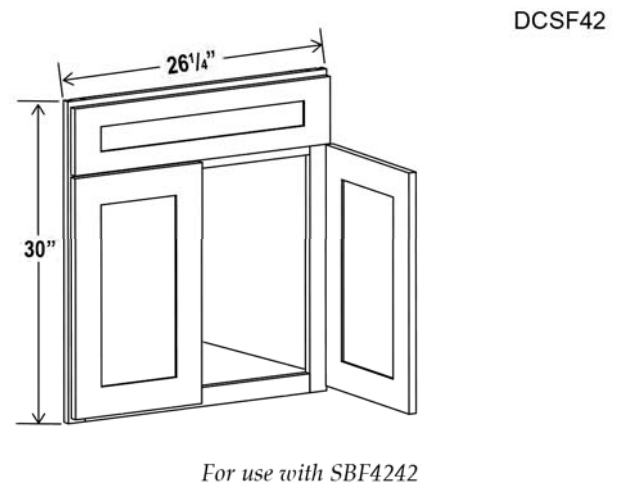
Corner Sink Base Cabinet



Corner Sink Front Floor

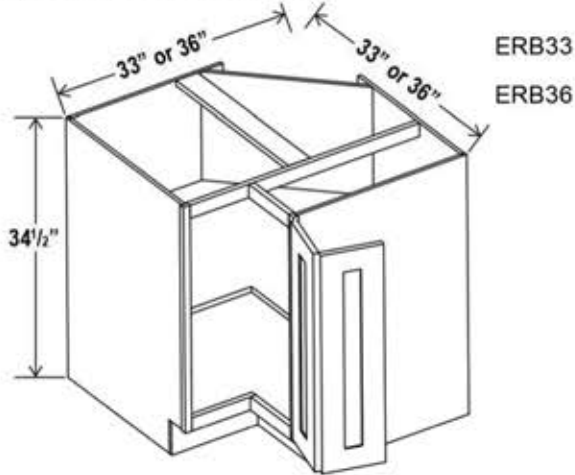


Corner Sink Base Front



Base Cabinet Specifications

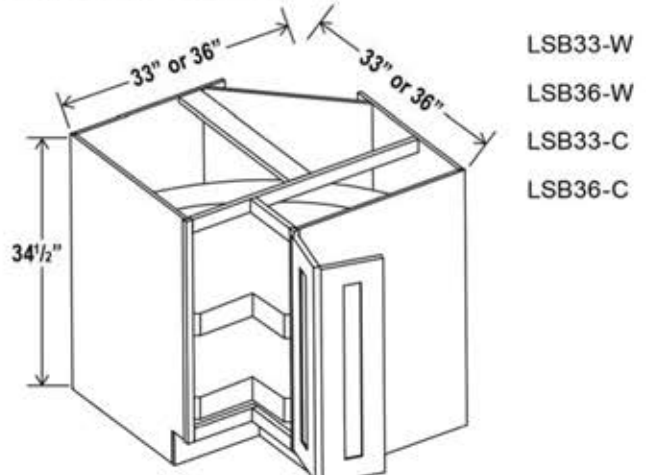
Easy Reach Base Cabinet



One bi-fold door

ERB33
ERB36

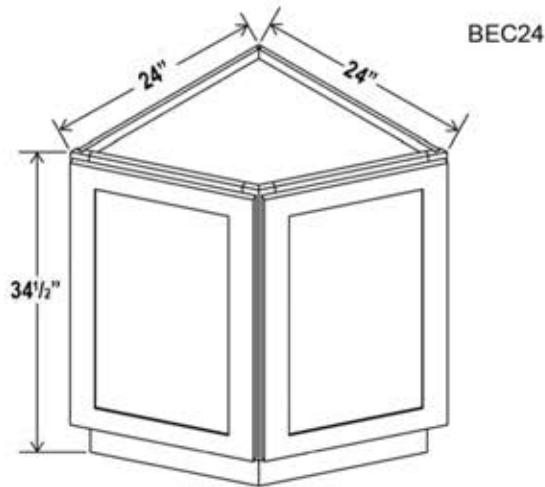
Lazy Susan Cabinet



-W: Two wooden trays -C: Two chrome trays

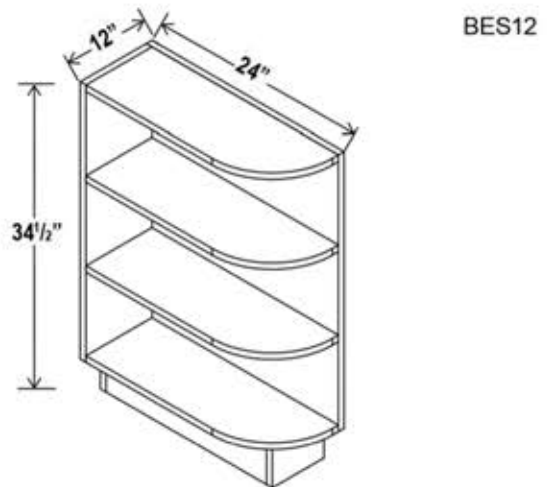
LSB33-W
LSB36-W
LSB33-C
LSB36-C

Base End Cabinet



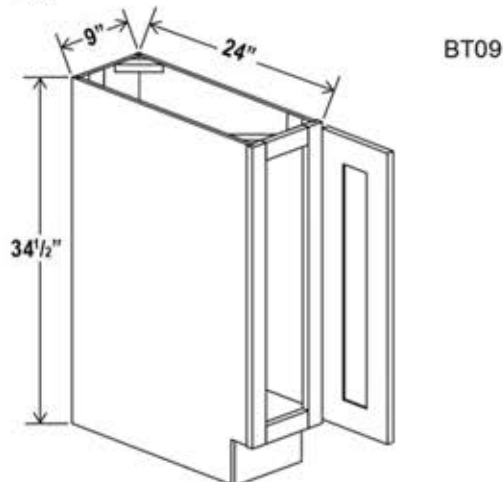
BEC24

Base End Shelf



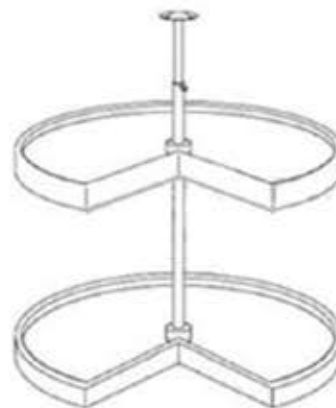
BES12

Base Tray



BT09

Wood Tray/ Chrome Tray

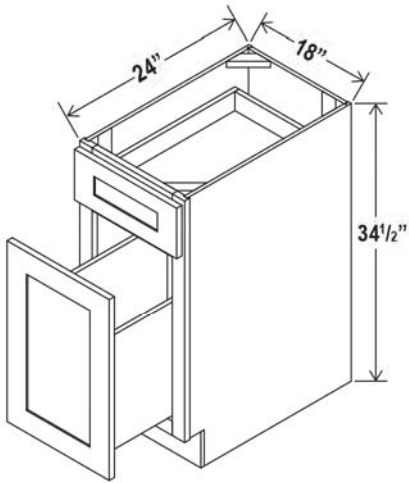


Wood Tray
Chrome Tray

Base Cabinet Specifications

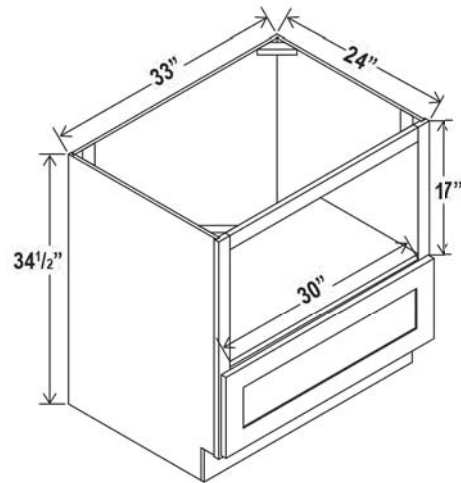
Base Waste Basket Cabinet

BWB18



Microwave Base Cabinet

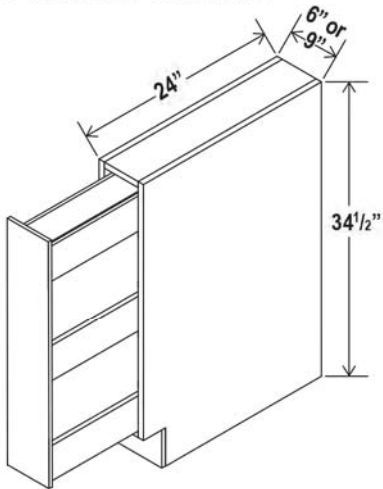
MB33



Spice Pull Base Cabinet

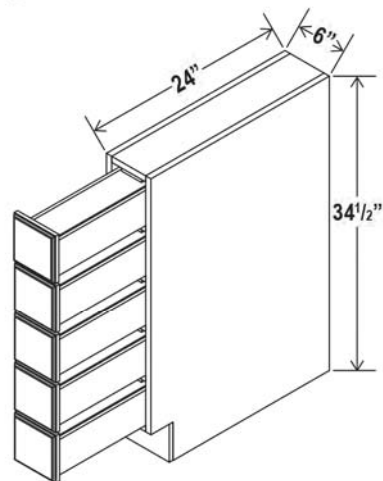
SPB6

SPB9



Base Spice Drawer

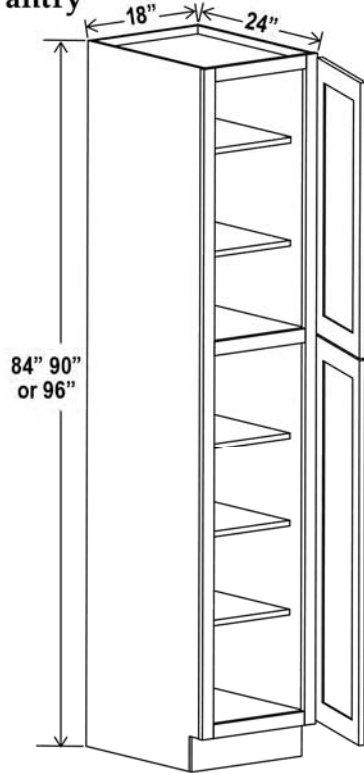
BSDC6



Base Cabinets

Tall Pantry Cabinet Specifications

Utility Pantry

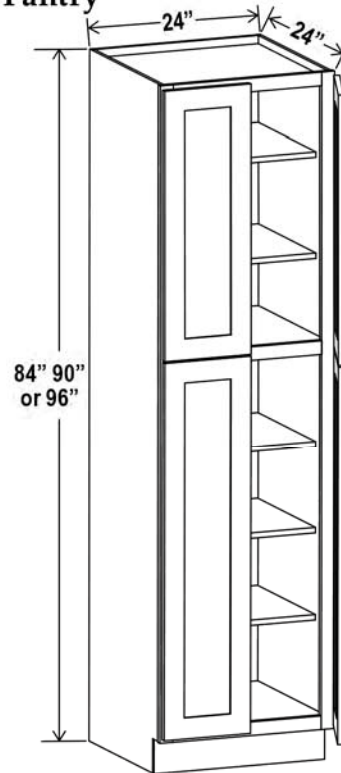


U188424
U189024
U189624

84" 90"
or 96"

Two adjustable top shelves • Three bottom shelves
Note: Roll out shelf kits available for utility cabinets. See page 24.

Utility Pantry



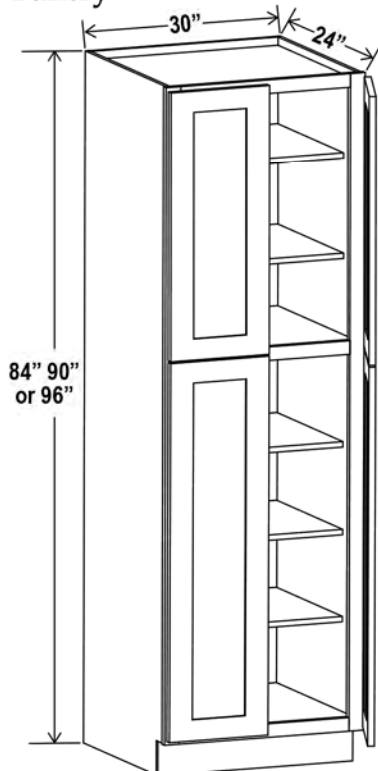
U248424
U249024
U249624

84" 90"
or 96"

Two adjustable top shelves • Three bottom shelves
Note: Roll out shelf kits available for utility cabinets. See page 24.

Pantries

Utility Pantry



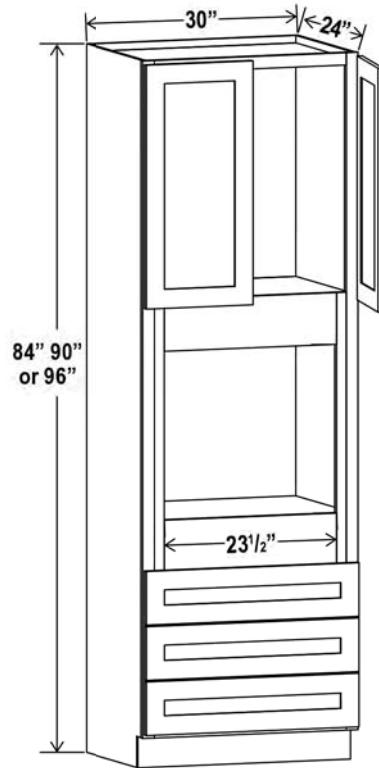
U308424
U309024
U309624

84" 90"
or 96"

Two adjustable top shelves • Three bottom shelves
Note: Roll out shelf kits available for utility cabinets. See page 24.

Tall Pantry Cabinet Specifications

Oven Pantry



O308424

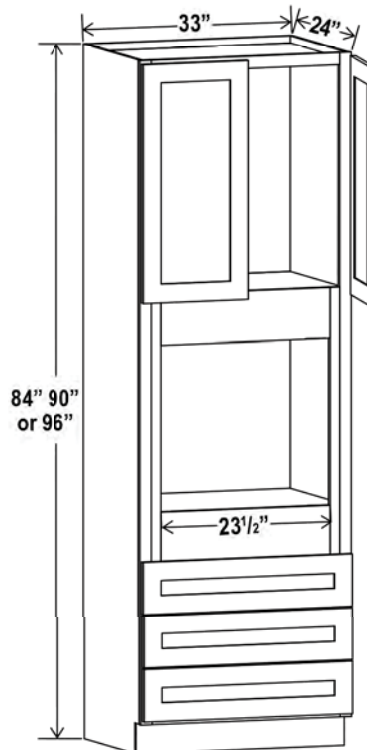
O309024

O309624

Two doors • One large open shelf • Three bottom drawers
Note: Drawers may be removed to accommodate double ovens.

Pantries

Oven Pantry



O338424

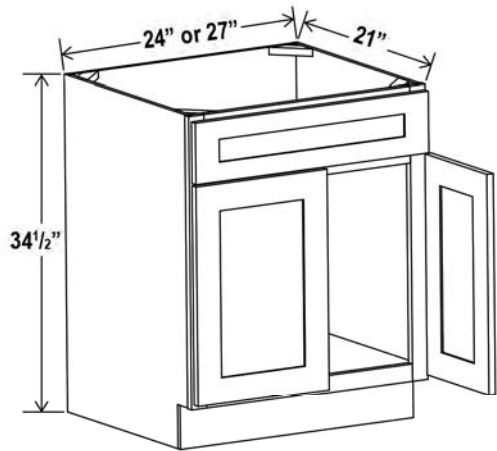
O339024

O339624

Two doors • One large open shelf • Three bottom drawers
Note: Drawers may be removed to accommodate double ovens.

Vanity Cabinet Specifications

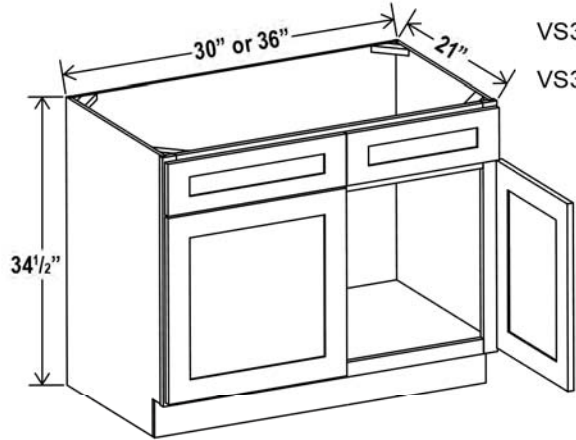
Vanity Sink Base



1 dummy drawer

VS24
VS27

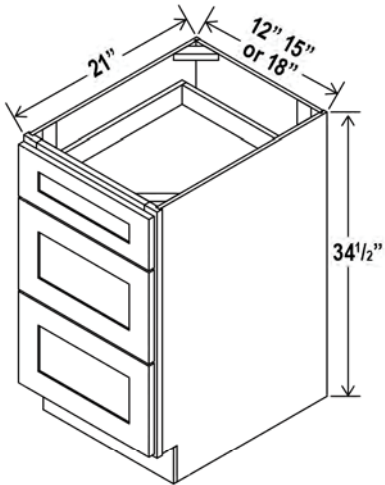
Vanity Sink Base



Two dummy drawers

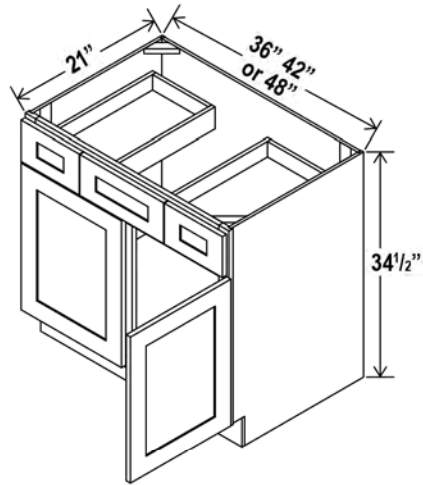
VS30
VS36

Vanity Drawer Base Cabinet



3VDB12
3VDB15
3VDB18

Vanity Combo



VSD36
VSD42
VSD48

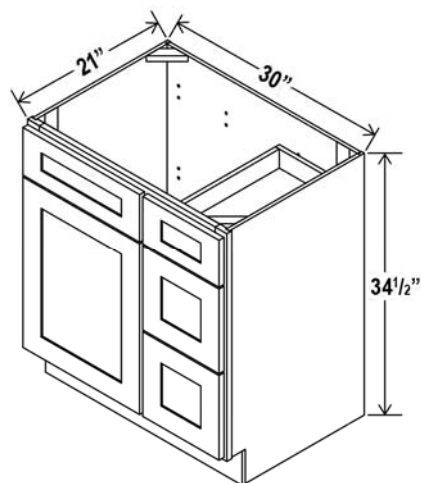
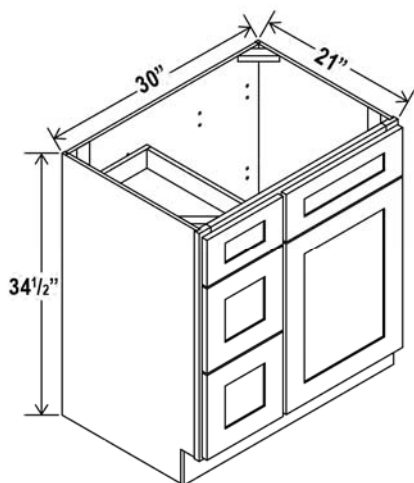
Vanities

Vanity Cabinet Specifications

Vanity Combo

V3021DL

V3021DR

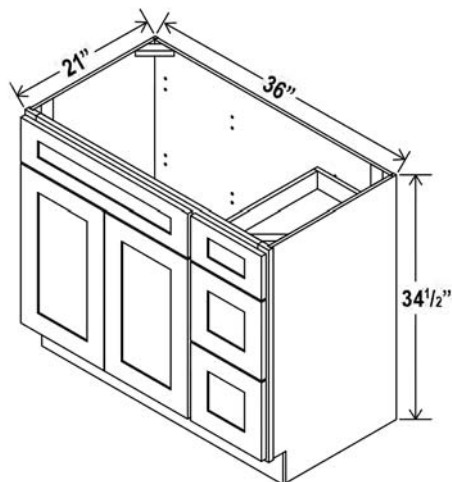
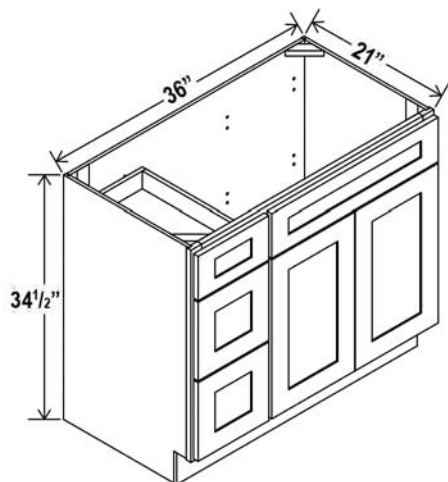


V3021DL: 30" combo with drawers on left • V3021DR: 30" combo with drawers on right

Vanity Combo

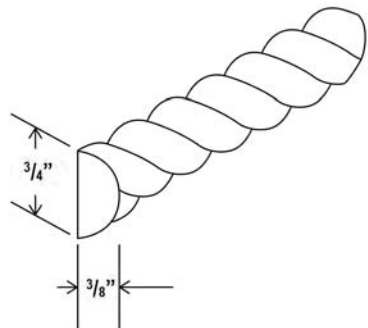
V3621DL

V3621DR



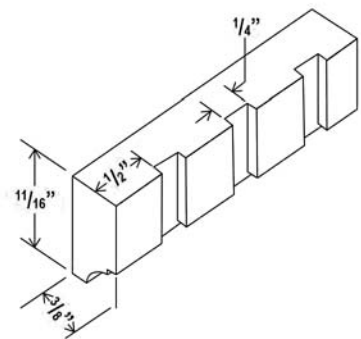
V3621DL: 36" combo with drawers on left • V3621DR: 36" combo with drawers on left right

Rope Moulding



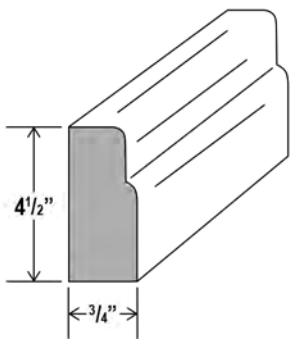
ROPE

Dentil Moulding



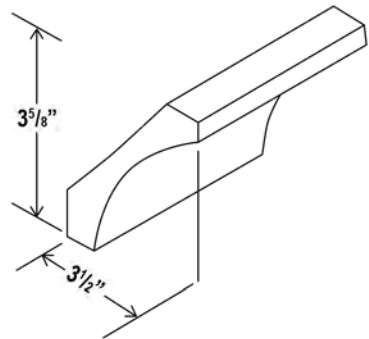
DMTIS

Furniture Base



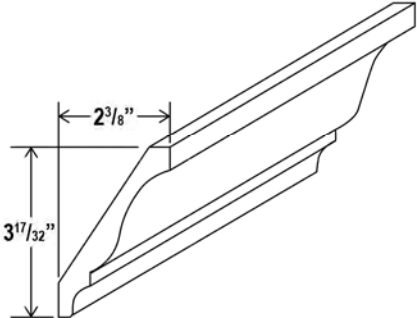
FBM

Cove Crown Moulding



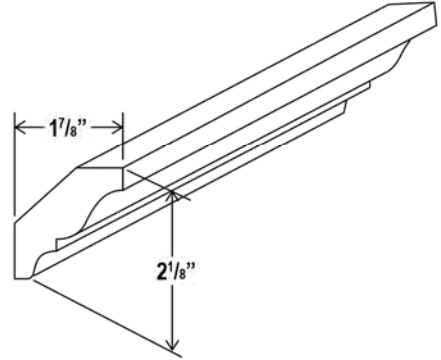
COV

Decorative Moulding



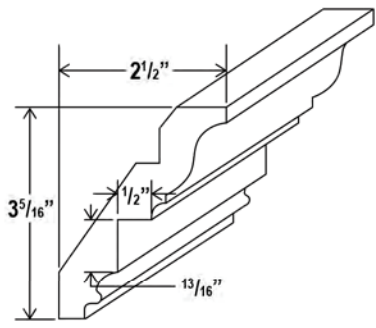
BCM8(DCM)

Crown Moulding



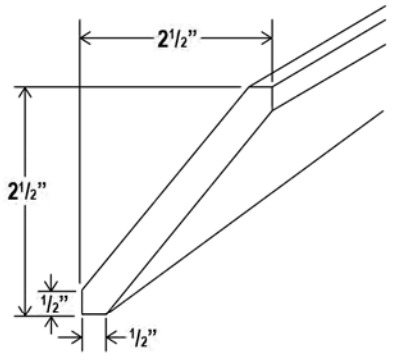
CM8

Inset Crown Moulding



RCM4S(LCM)

Angle Crown Moulding

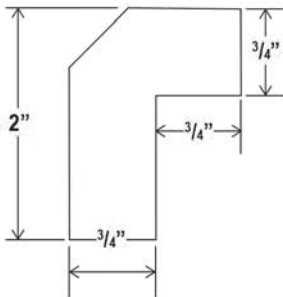


ACM8

Moulding

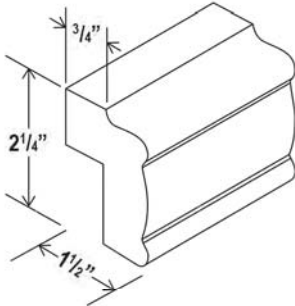
Moulding

Angle Light Rail Moulding



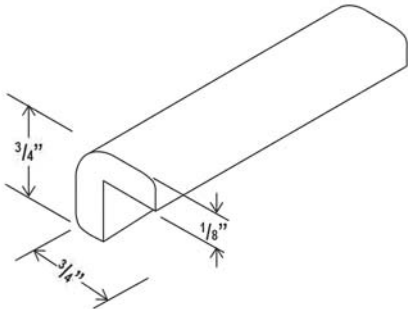
ALRM8

Light Rail Moulding



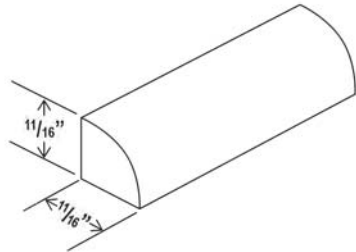
LRM8

Outside Corner Moulding



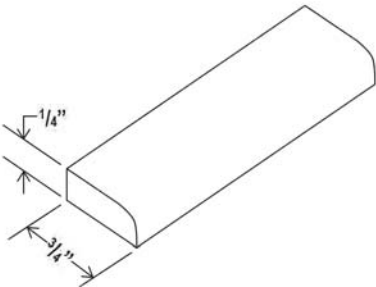
OCM8

Shoe Moulding



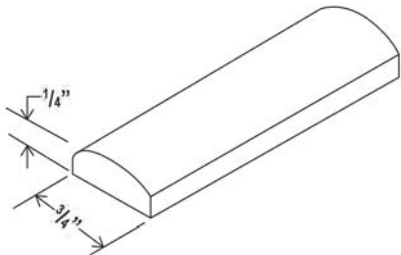
SHM

Scribe Moulding



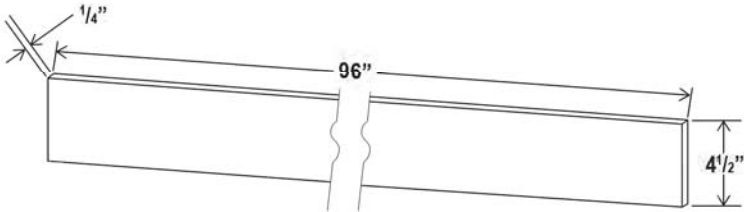
SM8(SCR)

Batten Moulding



BAM

Toe Kick

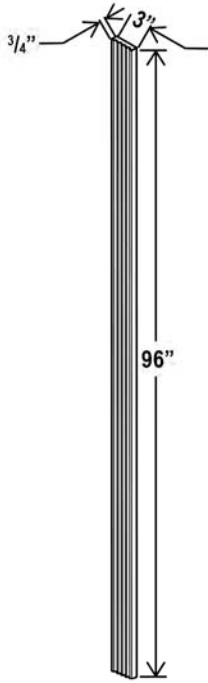


TKC

Moulding

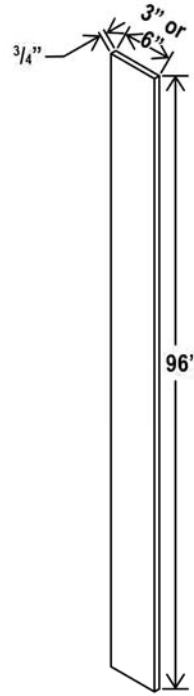
Fillers & Panels

Tall Fluted Filler



FF396

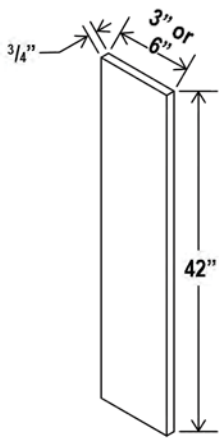
Tall Filler



F396

F696

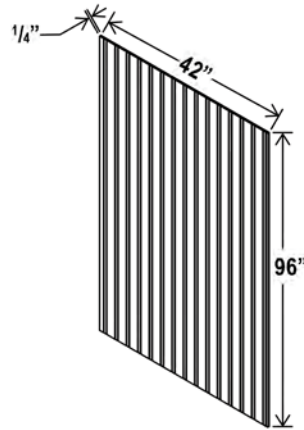
Filler



F342

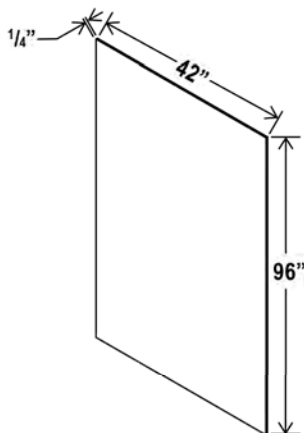
F642

Bead Board Panel



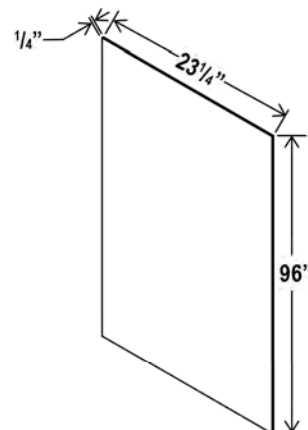
BBFPV4296

Finish Plywood Panel



FPV4296

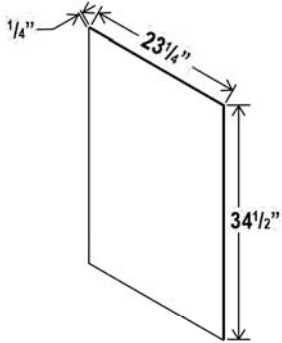
Tall Skin Veneer Panel



USV2496

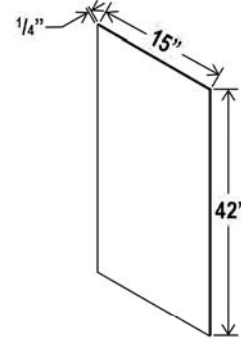
Fillers & Panels

Base Skin Veneer Panel



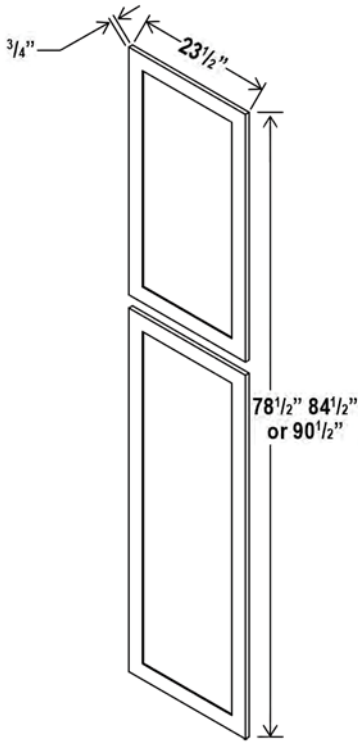
BSV

Wall Skin Panel



WSV42

Tall Decorative Door Panel

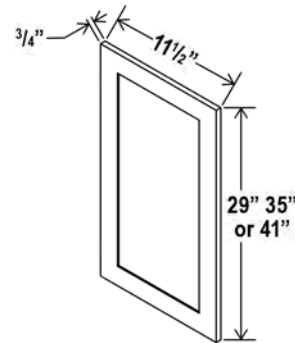


TDEP2484

TDEP2490

TDEP2496

Wall Decorative Door Panel

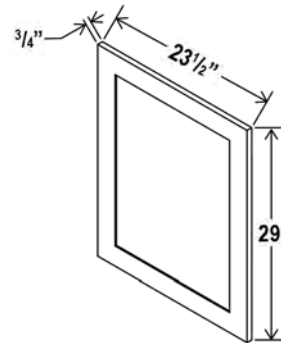


WDEP30

WDEP36

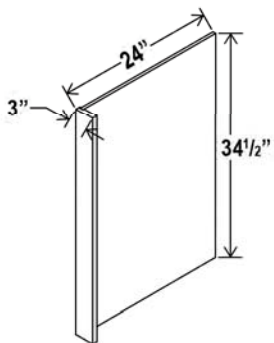
WDEP42

Base Decorative Door Panel



BDEP

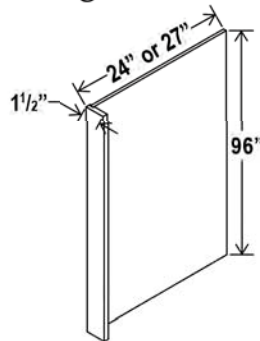
Dishwasher Return Panel



DWR3

Finished on both sides

Refrigerator End Panel

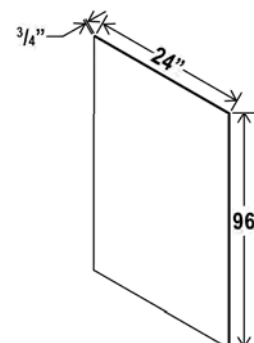


REPV2496

REPV2796

Finished on both sides

Shelf Board

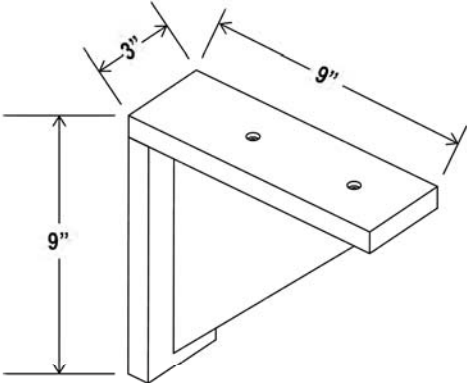


S2496

Finished on both sides

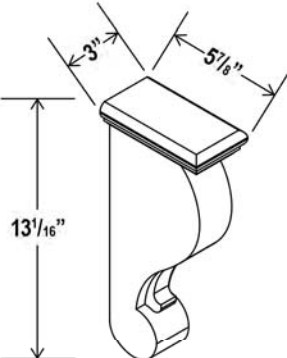
Corbel

CB9



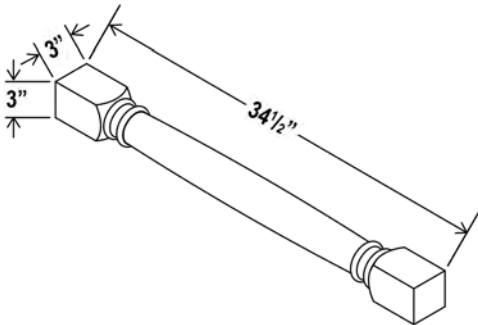
Corbel

CBT



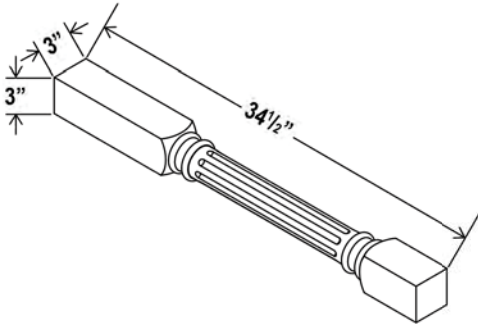
Classic Decorative Leg

CLDL



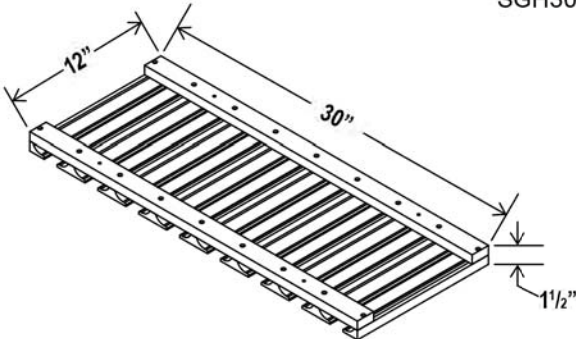
Fluted Decorative Leg

FLDL



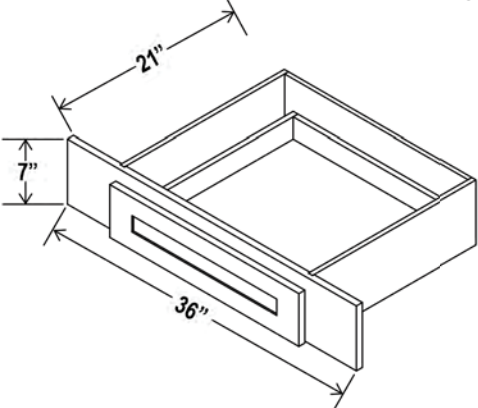
Glass Holder

SGH30



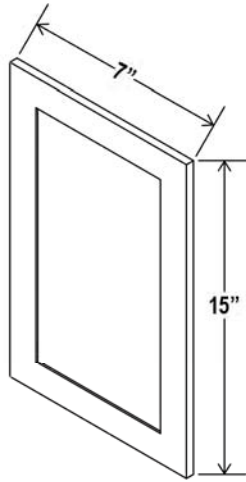
Knee Drawer

VKD36



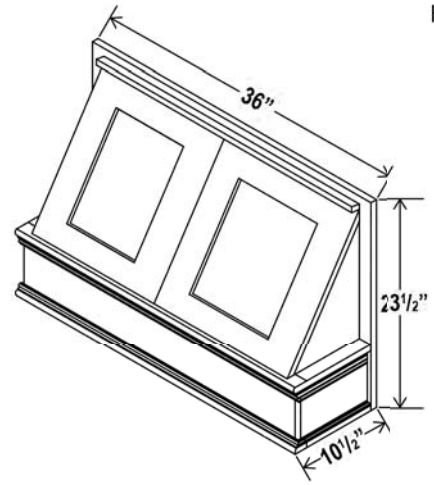
Accessories

Sample Door



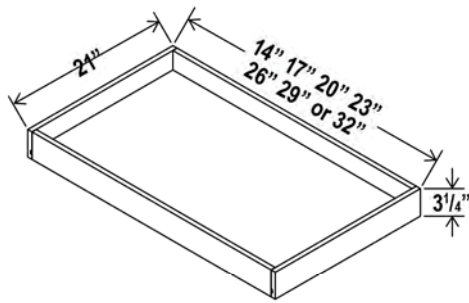
SD

Hood



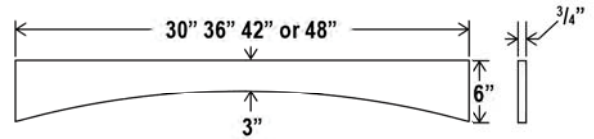
Hood

Roll Out Tray



- RS18
- RS21
- RS24
- RS27
- RS30
- RS33
- RS36

Arched Valance



- VA30
- VA36
- VA42
- VA48

Visionary Innovations *Select Cabinetry*

LIST PRICES Effective 4/18/18

WALL CABINETS

WALL CABINETS - 12"H

ITEM	PRODUCT DESCRIPTION	WEIGHT	CUBE	CW / CS	SE	SW / GR	GW / FW
W1212GD	Wall Cabinet - 12"W x 12"H x 12"D - 1D	8	0.2	\$170.10	\$161.70	\$138.60	
W1512GD	Wall Cabinet - 15"W x 12"H x 12"D - 1D	10	0.4	\$193.20	\$184.80	\$157.50	
W1812GD	Wall Cabinet - 18"W x 12"H x 12"D - 1D	12	0.5	\$214.20	\$207.90	\$176.40	
W2112GD	Wall Cabinet - 21"W x 12"H x 12"D - 1D	14	0.6	\$237.30	\$228.90	\$195.30	
W2412GD	Wall Cabinet - 24"W x 12"H x 12"D - 2D	16	0.8	\$289.80	\$281.40	\$235.20	
W2712GD	Wall Cabinet - 27"W x 12"H x 12"D - 2D	18	1.0	\$312.90	\$304.50	\$254.10	
W3012	Wall Cabinet - 30"W x 12"H x 12"D - 2D	20	1.2	\$373.80	\$354.90	\$331.80	\$258.30
W3012GD	Wall Glass Door Cabinet - 30"W x 12"H x 12"D - 2D	30	1.2	\$399.00	\$382.20	\$363.30	
W301224	Wall Refrigerator Cabinet-30"W x 12"H x 24"D - 2D	30	1.2	\$476.70	\$453.60	\$432.60	
W3312	Wall Cabinet - 33"W x 12"H x 12"D - 2D	24	1.4	\$392.70	\$373.80	\$352.80	\$275.10
W3312GD	Wall Glass Door Cabinet - 33"W x 12"H x 12"D - 2D	32	1.4	\$424.20	\$405.30	\$386.40	
W331224	Wall Refrigerator Cabinet-33"W x 12"H x 24"D - 2D	34	1.4	\$501.90	\$478.80	\$455.70	
W3612	Wall Cabinet - 36"W x 12"H x 12"D - 2D	28	1.6	\$417.90	\$396.90	\$375.90	\$294.00
W3612GD	Wall Glass Door Cabinet - 36"W x 12"H x 12"D - 2D	34	1.6	\$453.60	\$432.60	\$411.60	
W3912	Wall Cabinet - 39"W x 12"H x 12"D - 2D	36	1.6				\$315.00
W361224	Wall Cabinet - 36"W x 12"H x 24"D - 2D	40	2.8	\$527.10	\$499.80	\$478.80	\$373.80

WALL CABINETS - 15"H

ITEM	PRODUCT DESCRIPTION	WEIGHT	CUBE	CW / CS	SE	SW / GR	GW / FW
W3015	Wall Cabinet - 30"W x 15"H x 12"D - 2D	25	1.4	\$422.10	\$401.10	\$367.50	\$285.60
W301524	Wall Refrigerator Cabinet - 30"W x 15"H x 24"D - 2D	33	1.6	\$514.50	\$491.40	\$468.30	
W3315	Wall Cabinet - 33"W x 15"H x 12"D - 2D	28	1.6	\$432.60	\$411.60	\$390.60	\$304.50
W331524	Wall Refrigerator Cabinet - 33"W x 15"H x 24"D - 2D	37	1.6	\$543.90	\$518.70	\$493.50	
W3615	Wall Cabinet - 36"W x 15"H x 12"D - 2D	30	1.7	\$447.30	\$424.20	\$413.70	\$323.40
W3915	Wall Cabinet - 39"W x 15"H x 12"D - 2D	35	1.9				\$348.60
W361524	Wall Refrigerator Cabinet - 36"W x 15"H x 24"D - 2D	43	2.5	\$564.90	\$535.50	\$520.80	\$405.30

WALL CABINETS - 18"H

ITEM	PRODUCT DESCRIPTION	WEIGHT	CUBE	CW / CS	SE	SW / GR	GW / FW
W3018	Wall Cabinet - 30"W x 18"H x 12"D - 2D	28	1.7	\$462.00	\$438.90	\$415.80	\$323.40
W301824	Wall Refrigerator Cabinet - 30"W x 18"H x 24"D - 2D	37	1.7	\$575.40	\$548.10	\$522.90	
W3018GD	Wall Cabinet - 30"W x 18"H x 12"D - 2D	22	1.7	\$504.00	\$480.90	\$457.80	
W3318	Wall Cabinet - 33"W x 18"H x 12"D - 2D	32	1.9	\$476.70	\$453.60	\$428.40	\$333.90
W331824	Wall Refrigerator Cabinet - 33"W x 18"H x 24"D - 2D	41	1.9	\$590.10	\$562.80	\$535.50	
W3618	Wall Cabinet - 36"W x 18"H x 12"D - 2D	35	2	\$501.90	\$476.70	\$443.10	\$346.50
W361824	Wall Refrigerator Cabinet - 36"W x 18"H x 24"D - 2D	45	1.9	\$615.30	\$583.80	\$546.00	\$426.30

WALL CABINETS - 24"H

ITEM	PRODUCT DESCRIPTION	WEIGHT	CUBE	CW / CS	SE	SW / GR	GW / FW
W3024	Wall Cabinet - 30"W x 24"H x 12"D - 2D - 1S	30	2.2	\$556.50	\$527.10	\$499.80	\$390.60
W302424	Wall Refrigerator Cabinet - 30"W x 24"H x 24"D - 2D - 1S	53	2.3	\$693.00	\$661.50	\$630.00	
W3324	Wall Cabinet - 33"W x 24"H x 12"D - 2D - 1S	33	2.4	\$567.00	\$539.70	\$514.50	\$399.00
W332424	Wall Refrigerator Cabinet - 33"W x 24"H x 24"D - 2D - 1S	56	2.5	\$751.80	\$716.10	\$682.50	
W3624	Wall Cabinet - 36"W x 24"H x 12"D - 2D - 1S	35	2.6	\$653.10	\$619.50	\$554.40	\$432.60
W3924	Wall Cabinet - 39"W x 24"H x 12"D - 2D - 1S	37	2.8				\$464.10
W362424	Wall Refrigerator Cabinet - 36"W x 24"H x 24"D - 2D - 1S	50	2.6	\$804.30	\$764.40	\$732.90	\$571.20

WALL CABINETS - 30"H

ITEM	PRODUCT DESCRIPTION	WEIGHT	CUBE	CW / CS	SE	SW / GR	GW / FW
W0930	Wall Cabinet - 09"W x 30"H x 12"D - 1D - 2S	28	1	\$289.80	\$275.10	\$260.40	\$203.70
W1230	Wall Cabinet - 12"W x 30"H x 12"D - 1D - 2S	31	1.2	\$327.60	\$310.80	\$291.90	\$226.80
W1530	Wall Cabinet - 15"W x 30"H x 12"D - 1D - 2S	36	1.6	\$378.00	\$359.10	\$340.20	\$264.60
W1530GD	Wall Glass Door Cabinet - 15"W x 30"H x 12"D - 1D - 2S	36	1.8	\$428.40	\$405.30	\$378.00	

W1830	Wall Cabinet - 18"W x 30"H x 12"D - 1D - 2S	41	1.8	\$436.80	\$415.80	\$380.10	\$296.10
W1830GD	Wall Glass Door Cabinet - 18"W x 30"H x 12"D - 1D -2S	40	2.2	\$497.70	\$474.60	\$447.30	
W2130	Wall Cabinet - 21"W x 30"H x 12"D - 1D -2S	45	2.1	\$485.10	\$459.90	\$411.60	\$321.30
W2430	Wall Cabinet - 24"W x 30"H x 12"D - 2D -2S	52	2.4	\$567.00	\$537.60	\$510.30	\$399.00
W2430GD	Wall Glass Door Cabinet - 24"W x 30"H x 12"D - 2D -2S	51	2.8	\$638.40	\$604.80	\$577.50	
W2730	Wall Cabinet - 27"W x 30"H x 12"D - 2D -2S	56	2.7	\$619.50	\$588.00	\$546.00	\$426.30
W3030	Wall Cabinet - 30"W x 30"H x 12"D - 2D -2S	60	2.7	\$682.50	\$648.90	\$613.20	\$478.80
W3030GD	Wall Glass Door Cabinet - 30"W x 30"H x 12"D -2D-2S	56	2.4	\$751.80	\$716.10	\$682.50	
W3330	Wall Cabinet - 33"W x 30"H x 12"D - 2D -2S	65	2.9	\$716.10	\$682.50	\$651.00	\$508.20
W3630	Wall Cabinet - 36"W x 30"H x 12"D - 2D -2S	69	3.2	\$783.30	\$743.40	\$695.10	\$541.80
W3930	Wall Cabinet - 39"W x 30"H x 12"D - 2D -2S	72	3.4	\$808.50	\$772.80	\$735.00	\$573.30
W4230	Wall Cabinet - 42"W x 30"H x 12"D - 2D -2S	75	3.6				\$617.40
W4830	Wall Cabinet - 48"W x 30"H x 12"D - 2D -2S	77	3.8				\$651.00

WALL CABINETS - 36"H

ITEM	PRODUCT DESCRIPTION	WEIGHT	CUBE	CW / CS	SE	SW / GR	GW / FW
W0936	Wall Cabinet - 09"W x 36"H x 12"D - 1D -2S	32	1.4	\$315.00	\$298.20	\$289.80	\$226.80
W1236	Wall Cabinet - 12"W x 36"H x 12"D - 1D -2S	36	1.4	\$373.80	\$354.90	\$336.00	\$262.50
W1536	Wall Cabinet - 15"W x 36"H x 12"D - 1D -2S	41	1.8	\$432.60	\$411.60	\$380.10	\$296.10
W1536GD	Wall Glass Door Cabinet - 15"W x 36"H x 12"D - 1D -2S	41	2.2	\$487.20	\$462.00	\$430.50	
W1836	Wall Cabinet - 18"W x 36"H x 12"D - 1D -2S	46	2.2	\$506.10	\$480.90	\$430.50	\$336.00
W1836GD	Wall Glass Door Cabinet - 18"W x 36"H x 12"D - 1D -2S	44	2.4	\$575.40	\$546.00	\$558.60	
W2136	Wall Cabinet - 21"W x 36"H x 12"D - 1D -2S	51	2.5	\$569.10	\$541.80	\$485.10	\$378.00
W2436	Wall Cabinet - 24"W x 36"H x 12"D - 2D -2S	59	2.8	\$661.50	\$630.00	\$552.30	\$430.50
W2436GD	Wall Glass Door Cabinet - 24"W x 36"H x 12"D - 2D -2S	59	2.8	\$659.40	\$627.90	\$598.50	
W2736	Wall Cabinet - 27"W x 36"H x 12"D - 2D -2S	64	3.2	\$714.00	\$678.30	\$592.20	\$462.00
W3036	Wall Cabinet - 30"W x 36"H x 12"D - 2D -2S	68	3.2	\$781.20	\$741.30	\$680.40	\$531.30
W3036GD	Wall Glass Door Cabinet - 30"W x 36"H x 12"D -2D- 2S	63	3	\$873.60	\$833.70	\$793.80	
W3336	Wall Cabinet - 33"W x 36"H x 12"D - 2D -2S	73	3.5	\$850.50	\$806.40	\$741.30	\$577.50
W3636	Wall Cabinet - 36"W x 36"H x 12"D - 2D -2S	78	3.7	\$905.10	\$861.00	\$791.70	\$617.40
W3936	Wall Cabinet - 39"W x 36"H x 12"D - 2D -2S	81	4				\$655.20
W4236	Wall Cabinet - 42"W x 36"H x 12"D - 2D -2S	83	4.2				\$690.90
W4836	Wall Cabinet - 48"W x 36"H x 12"D - 2D -2S	85	4.4				\$724.50

WALL CABINETS - 42"H

ITEM	PRODUCT DESCRIPTION	WEIGHT	CUBE	CW / CS	SE	SW / GR	GW / FW
W0942	Wall Cabinet - 09"W x 42"H x 12"D - 1D - 3S	37	1.6	\$369.60	\$350.70	\$327.60	\$256.20
W1242	Wall Cabinet - 12"W x 42"H x 12"D - 1D- 3S	41	1.6	\$430.50	\$409.50	\$388.50	\$302.40
W1542	Wall Cabinet - 15"W x 42"H x 12"D - 1D - 3S	48	2.1	\$506.10	\$480.90	\$447.30	\$348.60
W1542GD	Wall Glass Door Cabinet - 15"W x 42"H x 12"D - 1D- 3S	47	2.5	\$558.60	\$531.30	\$495.60	
W1842	Wall Cabinet - 18"W x 42"H x 12"D - 1D -3S	54	2.5	\$581.70	\$552.30	\$510.30	\$399.00
W1842GD	Wall Cabinet - 18"W x 42"H x 12"D - 1D -3S	54	2.5	\$657.30	\$625.80	\$585.90	
W2142	Wall Cabinet - 21"W x 42"H x 12"D - 1D -3S	60	2.8	\$638.40	\$604.80	\$571.20	\$445.20
W2442	Wall Cabinet - 24"W x 42"H x 12"D - 2D -3S	68	3.2	\$774.90	\$735.00	\$644.70	\$543.90
W2442GD	Wall Glass Door Cabinet - 24"W x 42"H x 12"D - 2D -3S	60	2.8	\$846.30	\$802.20	\$711.90	
W2742	Wall Cabinet - 27"W x 42"H x 12"D - 2D -3S	68	4.4	\$795.90	\$756.00	\$703.50	\$588.00
W3042	Wall Cabinet - 30"W x 42"H x 12"D - 2D -3S	80	3.6	\$909.30	\$863.10	\$808.50	\$630.00
W3042GD	Wall Glass Door Cabinet - 30"W x 42"H x 12"D -2D- 2S	75	3.2	\$997.50	\$953.40	\$907.20	
W3342	Wall Cabinet - 33"W x 42"H x 12"D - 2D -3S	85	4	\$966.00	\$917.70	\$858.90	\$669.90
W3642	Wall Cabinet - 36"W x 42"H x 12"D - 2D -3S	91	4.3	\$1,035.30	\$984.90	\$913.50	\$711.90
W3942	Wall Cabinet - 39"W x 36"H x 12"D - 2D -2S	93	4.5				\$779.10
W4242	Wall Cabinet - 42"W x 36"H x 12"D - 2D -2S	95	4.8				\$296.10
W4842	Wall Cabinet - 48"W x 36"H x 12"D - 2D -2S	98	5.1				\$858.90

ANGLE WALL CABINETS

ITEM	PRODUCT DESCRIPTION	WEIGHT	CUBE	CW / CS	SE	SW / GR	GW / FW
AW1230	Angle Wall Cabinet - 12"W x 30"H x 12"D - 1D -2S	32	1.7	\$373.80	\$354.90	\$306.60	
AW1236	Angle Wall Cabinet - 12"W x 36"H x 12"D - 1D -2S	36	2	\$405.30	\$384.30	\$348.60	
AW1242	Angle Wall Cabinet - 12"W x 42"H x 12"D - 1D -3S	41	2.4	\$438.90	\$417.90	\$394.80	

DIAGONAL WALL CABINETS

ITEM	PRODUCT DESCRIPTION	WEIGHT	CUBE	CW / CS	SE	SW / GR	GW / FW
DCW2412GD	Wall Diagonal Glass Door Corner Cabinet - 24"W x 12"H x 12"D - 1D -2S	36	1.7	\$336.00	\$319.20	\$304.50	
DCW2430	Wall Diagonal Corner Cabinet - 24"W x 30"H x 12"D - 1D -2S	70	3.1	\$730.80	\$693.00	\$655.20	\$510.30
DCW2430GD	Wall Diagonal Glass Door Corner Cabinet - 24"W x 30"H x 12"D - 1D -2S	70	3.1	\$768.60	\$730.80	\$690.90	
DCW2436	Wall Diagonal Corner Cabinet - 24"W x 36"H x 12"D - 1D -2S	77	3.6	\$823.20	\$781.20	\$745.50	\$581.70
DCW2436GD	Wall Diagonal Glass Door Corner Cabinet - 24"W x 36"H x 12"D - 1D -2S	77	3.6	\$873.60	\$823.20	\$785.40	
DCW2442	Wall Diagonal Corner Cabinet - 24"W x 42"H x 12"D - 1D -3S	92	4.1	\$953.40	\$905.10	\$896.70	\$699.30
DCW2442GD	Wall Diagonal Glass Door Corner Cabinet - 24"W x 42"H x 12"D - 1D -3S	92	4.1	\$1,016.40	\$963.90	\$913.50	
DCW2712GD	Wall Diagonal Glass Door Corner Cabinet - 27"W x 12"H x 12"D x 1D -3S	56	1.8	\$359.10	\$342.30	\$325.50	
DCW2736	Wall Diagonal Corner Cabinet - 27"W x 36"H x 12"D - 1D -3S	110	4.6	\$867.30	\$850.50	\$785.40	
DCW2742	Wall Diagonal Corner Cabinet - 27"W x 42"H x 12"D - 1D -3S	110	4.6	\$1,041.60	\$997.50	\$951.30	

BLIND CORNER WALL CABINETS

ITEM	PRODUCT DESCRIPTION	WEIGHT	CUBE	CW / CS	SE	SW / GR	GW / FW
WBC2430	Wall Blind Corner Cabinet - 24"W x 30"H x 12"D - 1D -2S	51	2.5	\$485.10	\$459.90	\$436.80	\$340.20
WBC2730	Wall Blind Corner Cabinet - 27"W x 30"H x 12"D - 1D -2S	53	2.7	\$522.90	\$495.60	\$462.00	\$361.20
WBC3630	Wall Blind Corner Cabinet - 36"W x 30"H x 12"D - 1D -2S	56	2.8	\$665.70	\$632.10	\$598.50	
WBC2736	Wall Blind Corner Cabinet - 27"W x 36"H x 12"D - 1D -2S	59	3.2	\$590.10	\$560.70	\$525.00	
WBC2442	Wall Blind Corner Cabinet - 24"W x 42"H x 12"D - 1D -3S	66	3.4	\$653.10	\$621.60	\$585.90	\$457.80
WBC2742	Wall Blind Corner Cabinet - 27"W x 42"H x 12"D - 1D -3S	69	3.6	\$693.00	\$657.30	\$619.50	\$483.00
WBC3642	Wall Blind Corner Cabinet - 27"W x 36"H x 12"D - 1D -3S	71	3.8	\$890.40	\$846.30	\$802.20	

WALL ACCESSORY CABINETS

ITEM	PRODUCT DESCRIPTION	WEIGHT	CUBE	CW / CS	SE	SW / GR	GW / FW
OE630	Wall End Shelf - 6"W x 30"H x 12"D - 2S	16	0.8	\$199.50	\$189.00	\$178.50	
OE636	Wall End Shelf - 6"W x 36"H x 12"D - 3S	19	0.9	\$220.50	\$207.90	\$199.50	
OE642	Wall End Shelf - 6"W x 42"H x 12"D - 4S	21	1	\$241.50	\$231.00	\$220.50	
PR3015	Wall Plate Rack Cabinet - 30"W x 15"H x 12"D	30	1.7	\$567.00	\$539.70	\$514.50	
WRC2430	Wall Wine Rack Cabinet - 24"W x 30"H x 12"D	40	2.6	\$554.40	\$529.20	\$504.00	
WRC3018	Wall Wine Rack Cabinet - 30"W x 18"H x 12"D	33	2	\$531.30	\$508.20	\$483.00	
WRC3015	Wall Wine Rack Cabinet - 30"W x 15"H x 12"D	30	1.8	\$508.20	\$487.20	\$462.00	
WSD630	Wall Spice Drawer - 30"W x 6"H x 12"D	32	1.8	\$392.70	\$375.90	\$357.00	

BASE CABINETS

BASE CABINETS-34 1/2"H

ITEM	PRODUCT DESCRIPTION	WEIGHT	CUBE	CW / CS	SE	SW / GR	GW / FW
BT09	Base Cabinet - 9"W x 34-1/2"H x 24"D - 1D	38	2.0	\$415.80	\$394.80	\$378.00	\$294.00
B12	Base Cabinet - 12"W x 34-1/2"H x 24"D - 1D, 1Drw, 1S	51	2.2	\$539.70	\$512.40	\$495.60	\$386.40
B15	Base Cabinet - 15"W x 34-1/2"H x 24"D - 1D, 1Drw, 1S	57	2.9	\$609.00	\$579.60	\$548.10	\$428.40
B18	Base Cabinet - 18"W x 34-1/2"H x 24"D - 1D, 1Drw, 1S	62	2.9	\$657.30	\$623.70	\$604.80	\$472.50
B21	Base Cabinet - 21"W x 34-1/2"H x 24"D - 1D, 1Drw, 1S	66	2.9	\$724.50	\$688.80	\$648.90	\$506.10
B24	Base Cabinet - 24"W x 34-1/2"H x 24"D - 2D, 1Drw, 1S	72	2.9	\$793.80	\$753.90	\$726.60	\$567.00
B27	Base Cabinet - 27"W x 34-1/2"H x 24"D - 2D, 1Drw, 1S	78	3.3	\$877.80	\$833.70	\$798.00	\$621.60
B30	Base Cabinet - 30"W x 34-1/2"H x 24"D - 2D, 2Drw, 1S	89	3.8	\$1,022.70	\$976.50	\$930.30	\$726.60
B33	Base Cabinet - 33"W x 34-1/2"H x 24"D - 2D, 2Drw, 1S	94	4.0	\$1,083.60	\$1,029.00	\$982.80	\$766.50
B36	Base Cabinet - 36"W x 34-1/2"H x 24"D - 2D, 2Drw, 1S	100	4.3	\$1,152.90	\$1,096.20	\$1,033.20	\$806.40
B42	Base Cabinet - 42"W x 34-1/2"H x 24"D - 2D, 2Drw, 1S	109	4.5	\$1,234.80	\$1,173.90	\$1,127.70	\$879.90
B48	Base Cabinet - 48"W x 34-1/2"H x 24"D - 2D, 2Drw, 1S	118	4.7				\$942.90
MB33	Microwave Base Cabinet - 33"W x 34-1/2"H x 24"D -1Drw	94	4.0	\$1,014.30	\$926.10	\$873.60	

SINK BASES-34 1/2"H

ITEM	PRODUCT DESCRIPTION	WEIGHT	CUBE	CW / CS	SE	SW / GR	GW / FW
SB27	Sink Base - 27"W x 34-1/2"H x 24"D - 1 False Drawer	60	3.0	\$690.90	\$655.20	\$621.60	\$485.10
SB30	Sink Base - 30"W x 34-1/2"H x 24"D - 2 False Drawers	64	3.3	\$756.00	\$718.20	\$680.40	\$531.30
SB33	Sink Base - 33"W x 34-1/2"H x 24"D - 2 False Drawers	70	3.5	\$806.40	\$766.50	\$726.60	\$567.00
SB36	Sink Base - 36"W x 34-1/2"H x 24"D - 2 False Drawers	76	3.8	\$875.70	\$831.60	\$787.50	\$613.20
CSB36	Corner Sink Base - 36"W x 34-1/2"H x 24"D	96	4.1	\$915.60	\$869.40	\$823.20	
DCSF42	Corner Sink Base Front - 26-1/4"W x 30"H - for use with SBF4242	29	1.5	\$348.60	\$331.80	\$312.90	
SBF4242	Corner Sink Front Floor - 42"W x 42"H - for use with DCSF42	23	1.0	\$138.60	\$132.30	\$123.90	
FSB36	Farmer Sink Base 36"W	76	3.5	\$875.70	\$831.60	\$787.50	\$613.20

DRAWER BASES - 34 1/2"H

ITEM	PRODUCT DESCRIPTION	WEIGHT	CUBE	CW / CS	SE	SW / GR	GW / FW
3DB12	Drawer Base Cabinet - 12"W x 34-1/2"H x 24"D - 3DRW	75	3.0	\$810.60	\$768.60	\$747.60	\$583.80
3DB15	Drawer Base Cabinet - 15"W x 34-1/2"H x 24"D - 3DRW	82	3.2	\$903.00	\$865.20	\$840.00	\$655.20
3DB18	Drawer Base Cabinet - 18"W x 34-1/2"H x 24"D - 3DRW	89	3.7	\$966.00	\$917.70	\$873.60	\$680.40
3DB21	Drawer Base Cabinet - 21"W x 34-1/2"H x 24"D - 3DRW	95	3.8	\$997.50	\$947.10	\$928.20	\$724.50
3DB24	Drawer Base Cabinet - 24"W x 34-1/2"H x 24"D - 3DRW	102	3.8	\$1,052.10	\$999.60	\$982.80	\$766.50
3DB30	Drawer Base Cabinet - 30"W x 34-1/2"H x 24"D - 3DRW	117	4.6	\$1,220.10	\$1,159.20	\$1,104.60	\$861.00
3DB36	Drawer Base Cabinet - 36"W x 34-1/2"H x 24"D - 3DRW	132	5.5	\$1,341.90	\$1,274.70	\$1,201.20	\$936.60

ANGLE CORNER CABINETS

ITEM	PRODUCT DESCRIPTION	WEIGHT	CUBE	CW / CS	SE	SW / GR	GW / FW
BEC24	Base End Cabinet - 24"W x 34-1/2"H x 24"D - 2D	76	2.8	\$686.70	\$651.00	\$613.20	

LAZY SUSAN BASE CABINETS

ITEM	PRODUCT DESCRIPTION	WEIGHT	CUBE	CW / CS	SE	SW / GR	GW / FW
ERB33	Easy Reach Base Cabinet - 33"W x 34-1/2"H - 1D	89	4.1	\$930.30	\$882.00	\$835.80	\$693.00
ERB36	Easy Reach Base Cabinet - 36"W x 34-1/2"H - 1D	99	4.6	\$1,033.20	\$980.70	\$930.30	\$819.00
LSB33-C	Lazy Susan Cabinet - 33"W x 34-1/2"H - 1D (Chrome Basket)	89	4.1	\$1,039.50	\$991.20	\$945.00	\$840.00
LSB36-C	Lazy Susan Cabinet - 36"W x 34-1/2"H - 1D (Chrome Basket)	99	4.6	\$1,131.90	\$1,081.50	\$1,029.00	\$945.00
LSB33-W	Lazy Susan Cabinet - 33"W x 34-1/2"H - 1D (Wood Basket)	92	4.1	\$1,155.00	\$1,102.50	\$1,050.00	
LSB36-W	Lazy Susan Cabinet - 36"W x 34-1/2"H - 1D (Wood Basket)	102	4.6	\$1,247.40	\$1,190.70	\$1,134.00	

BLIND CORNER BASE CABINETS

ITEM	PRODUCT DESCRIPTION	WEIGHT	CUBE	CW / CS	SE	SW / GR	GW / FW
BBC36	Blind Base Corner Cabinet - 27"W x 34-1/2"H x 24"D -1D, 1Drw, 1S *Install range 37" min., 40" max; Specify Left/Right Hinge assembly	70	3.5	\$726.60	\$688.80	\$653.10	\$510.30
BBC42	Blind Base Corner Cabinet - 39"W x 34-1/2"H x 24"D -1D, 1Drw, 1S *Install range 43" min., 46" max; Specify Left/Right Hinge assembly	87	4.6	\$884.10	\$837.90	\$793.80	\$829.50

ACCESSORY BASE CABINETS

ITEM	PRODUCT DESCRIPTION	WEIGHT	CUBE	CW / CS	SE	SW / GR	GW / FW
BES12	Base End Shelf Cabinet - 12"W x 34-1/2"H x 24"D	52	1.6	\$438.90	\$417.90	\$399.00	
BSDC6	Base Spice Drawer - 34 1/2"W x 24"H x 6"D - 5DRW	30	1.5	\$577.50	\$556.50	\$525.00	
DFB18	Two Drawer Base Cabinet - 18"	68	2.7	\$745.50	\$707.70	\$661.50	
BWB18	Base Waste Basket - 18" x 34 1/2 x 24	75	3.2	\$873.60	\$835.80	\$795.90	\$621.60
SPB6	Spice Pull Base Cabinet - 6"W x 34-1/2"H x 24"D	32	1.6	\$567.00	\$539.70	\$510.30	
SPB9	Spice Pull Base Cabinet - 9"W x 34-1/2"H x 24"D	32	1.6	\$644.70	\$613.20	\$581.70	

ADA CABINETS

ADA BASE CABINETS-32 1/2"H

ITEM	PRODUCT DESCRIPTION	WEIGHT	CUBE	CW / CS	SE	SW / GR	GW / FW
B12A	ADA Base Cabinet - 12"W x 32"H x 24"D - 1D, 1Drw, 1S	51	2.2				\$359.10
B15A	ADA Base Cabinet - 15"W x 32"H x 24"D - 1D, 1Drw, 1S	57	2.9				\$396.90
B18A	ADA Base Cabinet - 18"W x 32"H x 24"D - 1D, 1Drw, 1S	62	2.9				\$434.70
B21A	ADA Base Cabinet - 21"W x 32"H x 24"D - 1D, 1Drw, 1S	66	2.9				\$470.40
B24A	ADA Base Cabinet - 24"W x 32"H x 24"D - 2D, 1Drw, 1S	72	2.9				\$533.40
B27A	ADA Base Cabinet - 27"W x 32"H x 24"D - 2D, 1Drw, 1S	78	3.3				\$569.10
B30A	ADA Base Cabinet - 30"W x 32"H x 24"D - 2D, 2Drw, 1S	89	3.8				\$686.70
B33A	ADA Base Cabinet - 33"W x 32"H x 24"D - 2D, 2Drw, 1S	94	4				\$724.50
B36A	ADA Base Cabinet - 36"W x 32"H x 24"D - 2D, 2Drw, 1S	100	4.3				\$760.20

ADA SINK BASE-32 1/2"H

ITEM	PRODUCT DESCRIPTION	WEIGHT	CUBE	CW / CS	SE	SW / GR	GW / FW
SB30AR	ADA Removable Sink Base - 30"W x 34-1/2"H x 24"D - 2 False Drawers	64	3.3				\$493.50
SB33AR	ADA Removable Sink Base - 33"W x 34-1/2"H x 24"D - 2 False Drawers	70	3.5				\$531.30
SB36AR	ADA Removable Sink Base - 36"W x 34-1/2"H x 24"D - 2 False Drawers	76	3.8				\$562.80

ADA VANITY SINK-32 1/2"H

ITEM	PRODUCT DESCRIPTION	WEIGHT	CUBE	CW / CS	SE	SW / GR	GW / FW
VS30AR	ADA Removable Vanity Sink Base Cabinet - 30"W x 34 1/2"H x 21"D	64	3.2				\$468.30
VS36AR	ADA Removable Vanity Sink Base Cabinet - 36"W x 34 1/2"H x 21"D	73	3.8				\$539.70

OVEN CABINETS & PANTRIES

OVEN CABINETS

ITEM	PRODUCT DESCRIPTION	WEIGHT	CUBE	CW / CS	SE	SW / GR	GW / FW
O308424	Oven Cabinet - 30"W x 84"H x 24"D - 2D, 3DRW, 1S	200	8.6	\$2,226.00	\$2,209.20	\$2,192.40	
O309024	Oven Cabinet - 30"W x 90"H x 24"D - 2D, 3DRW, 1S	215	9	\$2,415.00	\$2,310.00	\$2,217.60	
O309624	Oven Cabinet - 30"W x 96"H x 24"D - 2D, 3DRW, 1S	233	9.5	\$2,622.90	\$2,492.70	\$2,383.50	
O338424	Oven Cabinet - 33"W x 84"H x 24"D - 2D, 3DRW, 1S	215	9	\$2,425.50	\$2,320.50	\$2,205.00	\$1,722.00
O339024	Oven Cabinet - 33"W x 90"H x 24"D - 2D, 3DRW, 1S	233	9.6	\$2,541.00	\$2,425.50	\$2,310.00	\$1,806.00
O339624	Oven Cabinet - 33"W x 96"H x 24"D - 2D, 3DRW, 1S	242	10.2	\$2,772.00	\$2,646.00	\$2,520.00	\$1,974.00

MICROWAVE OVEN CABINETS

ITEM	PRODUCT DESCRIPTION	WEIGHT	CUBE	CW / CS	SE	SW / GR	GW / FW
MO3030	Microwave Oven Cabinet - 30"W x 30"H x 12"D - 2D, 1S	51	2.9	\$842.10	\$800.10	\$768.60	
MO3036	Microwave Oven Cabinet - 30"W x 36"H x 12"D - 2D, 1S	59	3.4	\$974.40	\$926.10	\$888.30	
MO3042	Microwave Oven Cabinet - 30"W x 42"H x 12"D - 2D, 1S	66	4	\$1,148.70	\$1,089.90	\$1,045.80	

TALL PANTRIES

ITEM	PRODUCT DESCRIPTION	WEIGHT	CUBE	CW / CS	SE	SW / GR	GW / FW
U188424	Wall Pantry - 18"W x 84"H x 24"D - 2D, 5S	136	6.6	\$1,579.20	\$1,501.50	\$1,417.50	\$1,106.70
U248424	Wall Pantry - 24"W x 84"H x 24"D - 4D, 5S	165	6.7	\$1,898.40	\$1,803.90	\$1,556.10	\$1,213.80
U308424	Wall Pantry - 30"W x 84"H x 24"D - 4D, 5S	194	6.8	\$2,415.00	\$2,230.20	\$1,843.80	
U189024	Wall Pantry - 18"W x 90"H x 24"D - 2D, 5S	143	7	\$1,629.60	\$1,547.70	\$1,461.60	\$1,140.30
U249024	Wall Pantry - 24"W x 90"H x 24"D - 4D, 5S	172	7.1	\$1,969.80	\$1,871.10	\$1,680.00	\$1,310.40
U309024	Wall Pantry - 30"W x 90"H x 24"D - 4D, 5S	201	7.2	\$2,599.80	\$2,335.20	\$1,969.80	
U189624	Wall Pantry - 18"W x 96"H x 24"D - 2D, 5S	150	7.5	\$1,705.20	\$1,619.10	\$1,535.10	\$1,197.00
U249624	Wall Pantry - 24"W x 96"H x 24"D - 4D, 5S	180	7.6	\$2,066.40	\$1,963.50	\$1,791.30	\$1,396.50
U309624	Wall Pantry - 30"W x 96"H x 24"D - 4D, 5S	210	7.7	\$2,797.20	\$2,463.30	\$2,068.50	

VANITIES

VANITY SINK CABINETS

ITEM	PRODUCT DESCRIPTION	WEIGHT	CUBE	CW / CS	SE	SW / GR	GW / FW
VS24	Vanity Sink Base Cabinet - 24"W x 34 1/2"H x 21"D	56	2.6	\$609.00	\$577.50	\$552.30	\$430.50
VS27	Vanity Sink Base Cabinet - 27"W x 34 1/2"H x 21"D	60	2.9	\$653.10	\$621.60	\$579.60	\$451.50
VS30	Vanity Sink Base Cabinet - 30"W x 34 1/2"H x 21"D	64	3.2	\$703.50	\$667.80	\$604.80	\$472.50
VS36	Vanity Sink Base Cabinet - 36"W x 34 1/2"H x 21"D	73	3.8	\$789.60	\$749.70	\$690.90	\$539.70

VANITY DRAWER CABINETS

ITEM	PRODUCT DESCRIPTION	WEIGHT	CUBE	CW / CS	SE	SW / GR	GW / FW
3VDB12	Vanity Drawer Base Cabinet - 12"W x 34 1/2"H x 21"D - 3 DRW	68	2.8	\$791.70	\$751.80	\$716.10	\$558.60
3VDB15	Vanity Drawer Base Cabinet - 15"W x 34 1/2"H x 21"D - 3 DRW	74	2.8	\$858.90	\$816.90	\$774.90	\$604.80
3VDB18	Vanity Drawer Base Cabinet - 18"W x 34 1/2"H x 21"D - 3 DRW	80	2.8	\$930.30	\$884.10	\$829.50	\$646.80

VANITY COMBINATION CABINETS

ITEM	PRODUCT DESCRIPTION	WEIGHT	CUBE	CW / CS	SE	SW / GR	GW / FW
V3021DL	Vanity Sink Base - 30"W x 34 1/2" x 21"D - 1D, 3 Left DRW	96	4.6	\$1,163.40	\$1,085.70	\$1,062.60	
V3021DR	Vanity Sink Base - 30"W x 34 1/2" x 21"D - 1D, 3 Right DRW	96	4.6	\$1,163.40	\$1,085.70	\$1,062.60	
V3621DL	Vanity Sink Base - 36"W x 34 1/2" x 21"D - 1D, 3 Left DRW	106	5.3	\$1,218.00	\$1,157.10	\$1,150.80	
V3621DR	Vanity Sink Base - 36"W x 34 1/2" x 21"D - 1D, 3 Right DRW	106	5.3	\$1,218.00	\$1,157.10	\$1,150.80	
VSD36	Vanity Sink Drawer Base Cabinet - 36"W x 34 1/2"H x 21"D - 2 DRW, 2D	85	3.8	\$1,081.50	\$1,026.90	\$955.50	\$745.50
VSD42	Vanity Sink Drawer Base Cabinet - 42"W x 34 1/2"H x 21"D - 2 DRW, 2D	95	4.3	\$1,205.40	\$1,144.50	\$1,014.30	\$791.70
VSD48	Vanity Sink Drawer Base Cabinet - 48"W x 34 1/2"H x 21"D - 2 DRW, 2D	104	4.9	\$1,314.60	\$1,249.50	\$1,117.20	\$871.50

MOULDINGS

MOULDINGS

ITEM	PRODUCT DESCRIPTION	WEIGHT	CUBE	CW / CS	SE	SW / GR	GW / FW
BAM	Batten Moulding - 96"W x 3/4"H x 1/4"D	1	0	\$56.70	\$54.60	\$52.50	\$42.00
BCM8 (DCM)	Decorative Crown Moulding - 96"W x 4 3/8"H x 11/16"D	7	0.2	\$289.80	\$277.20	\$262.50	
CM8	Crown Moulding - 96"W x 2 3/4"H x 5/8"D	4	0.1	\$226.80	\$216.30	\$205.80	\$159.60
COV	Cove Crown Moulding - 96"W x 3 5/8"H x 2 1/2"D	10	0.3	\$369.60	\$352.80	\$336.00	\$262.50
ACM8	Angle Crown Moulding - 96"W x 3 5/8"H x 2 1/2"D	1	0.3	\$207.90	\$199.50	\$189.00	\$147.00
DMTIS	Dentil Moulding - 96"W x 11/16"H x 3/8"D	1	0	\$60.90	\$56.70	\$52.50	
FBM	Furniture Base MOULDING - 96"W x 4 5/8"H x 3/4"D	11	0.3	\$262.50	\$252.00	\$241.50	

LRM8	Light Rail Moulding - 96"W x 1 9/16"H x 2 1/4"D	5	0.1	\$277.20	\$264.60	\$252.00	
ALRM8	Angle Light Trail Molding - 96"W x 1 9/16"H x 2 1/4"D	1	0.3	\$323.40	\$308.70	\$294.00	\$231.00
OCM8	Outside Corner Moulding - 96"W x 3/4"H x 3/4"D	2	0	\$56.70	\$54.60	\$52.50	\$42.00
RCM4S (LCM)	Inset Crown Moulding - 96"W x 4 3/16"H x 7/8"D	8	0.3	\$252.00	\$241.50	\$231.00	
ROPE	Rope Moulding - 96"W x 3/4"H x 3/8"D	1	0	\$69.30	\$67.20	\$63.00	\$48.30
SHM	Shoe Moulding - 96"W x 11/16"H x 11/15"D	1	0	\$48.30	\$46.20	\$42.00	\$31.50
SMB (SCR)	Scribe Moulding - 96"W x 1/4"H x 5/8"D	1	0	\$52.50	\$48.30	\$46.20	\$37.80

FILLERS & PANELS

FILLERS

ITEM	PRODUCT DESCRIPTION	WEIGHT	CUBE	CW / CS	SE	SW / GR	GW / FW
F342	Wall Filler - 3"W x 42"H x 3/4"D	3	0.1	\$69.30	\$67.20	\$63.00	\$48.30
F396	Tall Filler - 3"W x 96"H x 3/4"D	6	0.2	\$207.90	\$199.50	\$189.00	\$147.00
F642	Wall Filler - 6"W x 42"H x 3/4"D	6	0.2	\$138.60	\$130.20	\$126.00	\$96.60
F696	Tall Filler - 6"W x 96"H x 3/4"D	12	0.4	\$300.30	\$285.60	\$273.00	\$447.30
FF396	Fluted Tall Filler - 3"W x 96"H x 3/4"D	7	0.2	\$262.50	\$241.50	\$231.00	

PANELS

ITEM	PRODUCT DESCRIPTION	WEIGHT	CUBE	CW / CS	SE	SW / GR	GW / FW
BBFPV4296	Finished Bead Board Plywood Panel - 96"W x 42"H x 1/4"D	47	2.4	\$533.40	\$506.10	\$480.90	
BDEP	Base Decorative Door Panel - 23 1/2"W x 29"H	18	0.7	\$354.90	\$336.00	\$319.20	
BSV	Base Skin Veneer Panel - 23 1/4"W x 34 1/2"H x 1/4"D	4	0.1	\$75.60	\$71.40	\$67.20	\$52.50
DWR3	Dishwasher Return Panel w/3"W Filler - 24"W X 34-1/2"H X 1/2"D	16	0.8	\$199.50	\$189.00	\$178.50	\$147.00
FPV4296	Finished Plywood Panel - 96"W x 42"H x 1/4"D	47	2.4	\$249.90	\$237.30	\$224.70	\$174.30
REPV2496	Refrigerator End Panel Veneer - 24"W x 96"H x 1 1/2"D	41	2.2	\$346.50	\$327.60	\$312.90	\$243.60
REPV2796	Refrigerator End Panel Veneer - 27"W x 96"H x 1 1/2"D	45	2.6	\$428.40	\$428.40	\$428.40	
TKC	Toe Kick 8' Plywood - 96"W x 4 1/2"H x 1/8"D	2	0.1	\$73.50	\$67.20	\$63.00	\$48.30
USV2496	Tall Skin Veneer Panel - 23 1/4" W x 96"H x 1/4"D	10	0.4	\$153.30	\$147.00	\$136.50	\$107.10
WDEP30	Wall Decorative Door Panel - 11 1/2"W x 29"H	10	0.4	\$157.50	\$149.10	\$142.80	
WDEP36	Wall Decorative Door Panel - 11 1/2"W x 35"H	12	0.4	\$182.70	\$172.20	\$163.80	
WDEP42	Wall Decorative Door Panel - 11 1/2"W x 41"H	14	0.5	\$205.80	\$195.30	\$184.80	
TDEP2484	Tall Decorative Door Panel - 23 1/2" W x 78 1/2"H	30	0.3	\$831.60	\$793.80	\$756.00	
TDEP2490	Tall Decorative Door Panel - 23 1/2" W x 84 1/2"H	30	0.3	\$877.80	\$837.90	\$798.00	
TDEP2496	Tall Decorative Door Panel - 23 1/2" W x 90 1/2"H	30	0.3	\$970.20	\$926.10	\$882.00	
WSV42	Wall Skin Panel - 15"W x 42"H x 1/4"D	3	0.1	\$48.30	\$46.20	\$42.00	\$33.60

ACCESSORIES

ACCESSORIES

ITEM	PRODUCT DESCRIPTION	WEIGHT	CUBE	CW / CS	SE	SW / GR	GW / FW
CB9	Corbel - 2"W x 9"H x 9"D	3	0.1	\$63.00	\$58.80	\$54.60	
CBT	Corbel - 3"W x 12 3/4"H x 6"D	6	0.2	\$268.80	\$256.20	\$241.50	
CLDL	Classic Decorative Leg - 3"W x 34 1/2"H x 3"D	10	0.3	\$394.80	\$373.80	\$354.90	
FLDL	Fluted Decorative Leg - 3"W x 34 1/2"H x 3"D	10	0.3	\$405.30	\$384.30	\$363.30	
S2496	Shelf Board - 24"W x 96"H x 3/4"D	37	1.4	\$336.00	\$319.20	\$302.40	
SGH30	Stem Wine Glass Holder - 30"W x 1 1/2"H x 12"D	10	0.6	\$189.00	\$180.60	\$170.10	
VA36	Arched Valance - 36"W x 6"H x 3/4"D	4	0.1	\$184.80	\$172.20	\$172.20	
VA42	Arched Valance - 42"W x 6"H x 3/4"D	5	0.2	\$216.30	\$199.50	\$199.50	
VA48	Arched Valance - 48"W x 6"H x 3/4"D	6	0.2	\$233.10	\$220.50	\$207.90	
VKD36	Knee Drawer - 36"W x 7"H x 21"D	29	1.6	\$260.40	\$247.80	\$237.30	
HOOD	Hood	35	2.1	\$808.50	\$772.80	\$735.00	\$573.30

TRAYS

ITEM	PRODUCT DESCRIPTION	WEIGHT	CUBE	CW / CS	SE	SW / GR	GW / FW
RS18	Roll Out Tray - Fits B18	11	0.5	\$182.70	\$182.70	\$182.70	
RS21	Roll Out Tray - Fits B21	12	0.6	\$195.30	\$195.30	\$195.30	
RS24	Roll Out Tray - Fits B24	14	0.7	\$205.80	\$205.80	\$205.80	
RS27	Roll Out Tray - Fits B27	15	0.8	\$218.40	\$218.40	\$218.40	
RS30	Roll Out Tray - Fits B30	16	0.9	\$228.90	\$228.90	\$228.90	
RS33	Roll Out Tray - Fits B33	17	0.9	\$239.40	\$239.40	\$239.40	
RS36	Roll Out Tray - Fits B36	18	1	\$252.00	\$252.00	\$252.00	

SAMPLE DOORS

ITEM	PRODUCT DESCRIPTION	WEIGHT	CUBE	CW / CS	SE	SW / GR	GW / FW
SD	Sample Door - 11"W x 15"H	7	0.1	\$81.90	\$77.70	\$73.50	\$56.70

TOUCH-UP KITS

ITEM	PRODUCT DESCRIPTION	WEIGHT	CUBE	CW / CS	SE	SW / GR	GW / FW
TUK	Touch-up Kits			\$40.00	\$40.00	\$40.00	\$40.00

Visionary Innovations™

Select Cabinetry

WARRANTY

Limited 3 Year Warranty

Visionary Innovations warrants to the original consumer purchases that Visionary Innovations cabinets, door hinges, and drawer glides will be free from defects in material and workmanship under normal use and service for the 3 Years of the product (Proof of Purchase is required). This warranty is not transferable and only applicable to product used for residential purposes. Representatives of Visionary Innovations do not have the authority to change or enlarge this warranty.

This warranty does not cover normal wear and tear, damage or defects caused by accidents, misuse, abuse, or lack of necessary maintenance; nor does it cover alteration, modification, improper installation, improper handling / storage, environmental conditions, nor any labor expenses.

Visionary Innovations, at our option, may elect to repair or replace with a functionally equivalent product any Visionary Innovations product covered by this warranty. Some replacement parts are subject to availability and may differ from original parts received. Return of defective product may be required for a replacement to be issued. Repair parts or replacement parts are at the expense of Visionary Innovations, but customer shall bear all other expenses. These expenses may include, but are not limited to, cost of removal and reinstallation of product, labor expenses, etc.

The variation in color and grain pattern in wood adds to its natural beauty and is not considered an imperfection. Environmental factors, including but not limited to artificial / natural light, moisture, cleaners, smoke, etc., may cause the darkening or mellowing of a cabinet over time. This is a natural process and can be expected. This warranty does not cover the natural aging or darkening / mellowing of wood color, the inherent growth characteristics of, or variation in wood.

Some of the cabinet lines feature a glazed finish which accentuates the door and drawer front profiles. This glaze is hand applied over a stain or paint and may, due to the nature of application, consist of random drips, runs, etc. As glazing is a hand applied process there will be variations in color and appearance from door to door and cabinet to cabinet. This is not considered a defect and is considered normal with hand applied finishes. It is the nature of wood to expand and contract to varying degrees depending on climate conditions. As a result, cabinet lines with painted surfaces may show fractures in the paint at joints. This is normal and is not considered a defect.

This warranty is valid only in the United States of America and is not transferable. All implied warranties are limited in duration to the shorter of the period provided by law or the period of this warranty. To the extent permitted by law, this warranty excludes special, incidental, or consequential damages. Some states do not allow the exclusion or limitations of incidental or consequential damages or limitations on how long an implied warranty lasts, so the above limitations or exclusions may not apply to you. This warranty gives you specific legal rights; you may have other rights which vary from state to state. To exercise this warranty, please contact the Visionary Innovations supplier from whom you purchased the product. Report, in writing, to sales @visionaryinnovations.com all defects claimed and include proof of purchase documentation.







About Visionary Innovations *Select Cabinetry*

Visionary Innovations is a premier supplier of premium quality, all plywood kitchen cabinets. Chicago and Dallas distribution centers provide 200,000 sf of inventory in quality products for commercial and residential customers. Cabinets are available RTA (flat-pack) or assembled.



2735 Chimney Springs Drive
Marietta, GA 30062

(678) 653-6612

sales@visionaryinnovations.com
www.visionaryinnovations.com